

"Classic" Plate & Filament (263-282 Series)

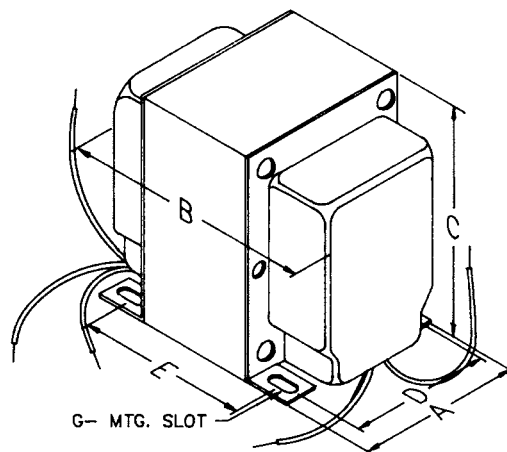
Power



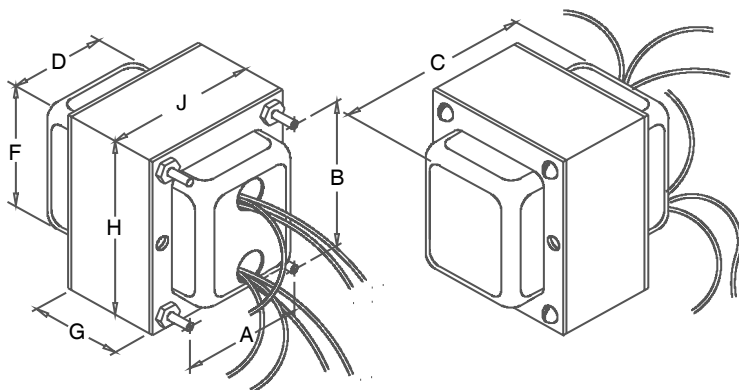
"CLASSIC" PLATE & FILAMENT ENCLOSED POWER TRANSFORMERS

- Primary 115 VAC, 60 Hz. - except as noted (for "universal" primaries and other NEW voltage combinations see our NEW "300" Series).
- H.V. DC current below, measured with cap. input filter, full wave (two diode) C.T., rectifier circuit.
- Enclosed, 4 hole chassis mount.
- Minimum 6" long leads.
- Class A insulation (105 degrees C).
- Hi-Pot test of 2,000V RMS.
- Conservative designs - CSA certified (# LR3902).

"X" Mounting - Drawing



"Z" Mounting - Drawing



"X" Mounting - Dimension Table

Mtg. Style	Dimensions (Inches)					G-Mtg. Slot
	A	B	C	D	E	
X2	1.88	2.44	2.50	1.50	1.56	.19 x .31
X4	2.19	2.50	2.63	1.75	1.44	.19 x .25
X5	2.19	2.63	2.63	1.75	1.56	.19 x .25
X6	2.50	2.75	3.06	2.00	1.69	.203 x .38
X7	2.50	3.00	3.06	2.00	1.94	.203 x .38
X7A	2.50	3.00	3.13	2.00	2.06	.203 x .38
X7B	2.50	3.00	3.13	2.00	2.19	.203 x .38
X8	2.50	3.25	3.06	2.00	2.19	.203 x .38
X9	2.50	3.75	3.06	2.00	2.69	.203 x .38
X9A	2.88	3.50	3.50	2.25	2.44	.203 x .38
X9B	3.13	3.50	3.50	2.50	2.38	.203 x .38
X10	3.13	3.50	3.81	2.50	2.19	.203 x .38
X10A	3.13	3.50	3.88	2.50	2.38	.203 x .38
X11	3.13	3.75	3.81	2.50	2.44	.203 x .38
X13	3.75	4.00	4.56	3.00	2.81	.203 x .38
X14	3.75	4.50	4.56	3.00	3.31	.203 x .38
X15	3.75	5.00	4.56	3.00	3.81	.203 x .38
X19	3.13	4.00	3.81	2.50	2.69	.203 x .38

"Z" Mounting - Dimension Table

Mtg. Style	Dimensions (Inches)							
	A	B	C	D	F	G	H	J
Z6	2.00	2.50	2.50	1.75	2.00	1.06	3.00	2.50
Z7	2.25	2.88	3.25	1.88	2.38	1.25	3.38	2.81
Z8	2.25	2.81	3.63	1.75	2.25	1.50	3.38	2.81
Z9	2.50	3.13	3.81	2.00	2.69	1.33	3.75	3.13



CANADA
Guelph, Ontario (519) 822-2960
St. Laurent, Quebec (514) 343-9010
USA
Cheektowaga, NY (716) 630-7030

www.hammondmfg.com



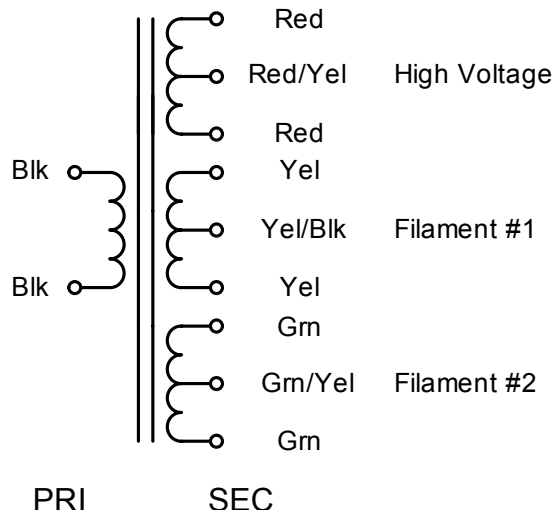
EUROPE
Basingstoke, UK 01256 812812

AUSTRALIA
Queenstown, Australia 61-8-8240-2244

"Classic" Plate & Filament (263-282 Series)

Power

Part No.	VA	Primary		Secondary		Filament #1 (VAC)	Filament #2 (VAC)	Dim. Ref.
		VAC	Hz.	(R.M.S.)	DC (ma.)			
263AX	32	115	60	100-0-100	100	5V @ 2A	-	X2
269AX	40	115	60	125-0-125	100	6.3V @ 2A	-	X4
269BX	38	115	60	150-0-150	75	6.3V @ 2A	-	X4
263CX	116	115	60	180-0-180	250	5V @ 3A C.T.	-	X9
269EX	43	115	60	190-0-190	65	6.3V @ 2.5A	-	X5
269GX	48	115	60	225-0-225	65	6.3V @ 2.5A	-	X5
270X	41	115	60	240-0-240	40	5V @ 2A	6.3V @ 1.5A	X4
270AX	42	115	60	240-0-240	50	6.3V @ 2.5A	-	X4
269JX	50	115	60	250-0-250	60	6.3V @ 2.5A	-	X5
270CAX	65	117	50/60	250-0-250	70	5V @ 2A	6.3V @ 2.5A	X7A
270DAX	76	117	50/60	260-0-260	90	6.3V @ 3.5A	-	X7B
270DAZ	76	117	60	260-0-260	90	6.3V @ 3.5A	-	Z7
270BX	53	115	60	275-0-275	50	5V @ 2A	6.3V @ 2A	X6
270CX	59	115	60	275-0-275	65	6.3V @ 0.6A	6.3V @ 2.5A	X6
270DX	83	115	60	275-0-275	90	5V @ 2A	6.3V @ 3A	X7
270EX	118	115	60	275-0-275	125	5V @ 3A	6.3V @ 4A	X9
270FX	138	115	60	275-0-275	150	5V @ 3A	6.3V @ 5A C.T.	X10
270HX	176	115	60	275-0-275	200	5V @ 3A C.T.	6.3V @ 6A C.T.	X19
271X	63	115	60	280-0-280	60	5V @ 2A	6.3V @ 2A C.T.	X6
272BX	95	115	60	300-0-300	100	5V @ 2A	6.3V @ 3A	X8
272DX	123	115	60	300-0-300	125	5V @ 3A	6.3V @ 4A	X9
272FX	146	115	60	300-0-300	150	5V @ 3A C.T.	6.3V @ 5A C.T.	X10
272HX	186	115	60	300-0-300	200	5V @ 3A C.T.	6.3V @ 6A C.T.	X19
272JX	236	115	60	300-0-300	250	5V @ 4A C.T.	6.3V @ 8A C.T.	X13
272X	74	115	60	310-0-310	70	5V @ 2A	6.3V @ 2.4A	X7
276X	150	115	60	320-0-320	150	5V @ 3A C.T.	6.3V @ 5A C.T.	X10
273AZ	49	117	50/60	325-0-325	40	5V @ 2A	6.3V @ 2A	Z6
273CZ	159	117	50/60	325-0-325	150	5V @ 3A	6.3V @ 5A C.T.	Z9
273DX	101	117	50/60	350-0-350	90	5V @ 2A	6.3V @ 3A C.T.	X9A
273DZ	101	117	50/60	350-0-350	90	5V @ 2A	6.3V @ 3A C.T.	Z8
273X	120	115	60	350-0-350	110	5V @ 2A	6.3V @ 4A C.T.	X9
273BX	182	115	60	350-0-350	175	5V @ 3A	6.3V @ 5A C.T.	X19
274AX	137	117	50/60	360-0-360	120	5V @ 3A	6.3V @ 3.5A C.T.	X10A
274X	138	115	60	375-0-375	110	5V @ 3A	6.3V @ 5A C.T.	X10
274BX	198	115	60	375-0-375	175	5V @ 3A C.T.	6.3V @ 6A C.T.	X19
275X	167	115	60	400-0-400	135	5V @ 3A C.T.	6.3V @ 5A C.T.	X11
278X	229	115	60	400-0-400	200	5V @ 3A C.T.	6.3V @ 6A C.T.	X19
278CX	454	115	60	400-0-400	465	6.3V @ 6A C.T.	-	X15
279X	186	115	60	425-0-425	150	5V @ 3A	6.3V @ 5A C.T.	X19
282X	273	115	60	500-0-500	200	5V @ 3A C.T.	6.3V @ 6A C.T.	X14



Notes : Filament #1 and #2 windings may not exist or may not have C.T. connections. Refer to table above.

EUROPE
Basingstoke, UK 01256 812812

www.hammondmfg.com

CANADA
Guelph, Ontario (519) 822-2960
St. Laurent, Quebec (514) 343-9010

AUSTRALIA
Queenstown, Australia 61-8-8240-2244



USA
Cheektowaga, NY (716) 630-7030

