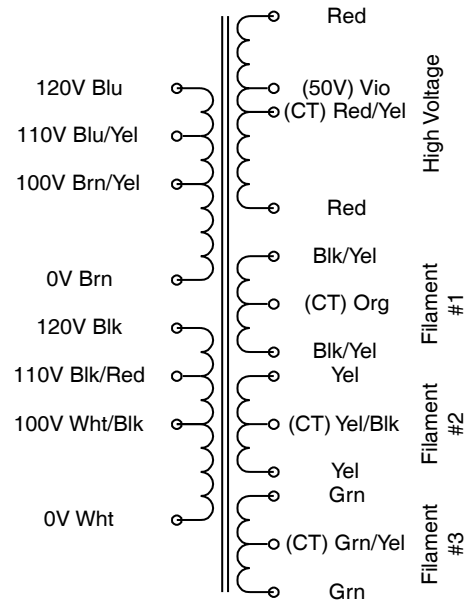


# "Classic" Plate & Filament - Universal Primary (300 Series)

Power



## Transformer Schematic



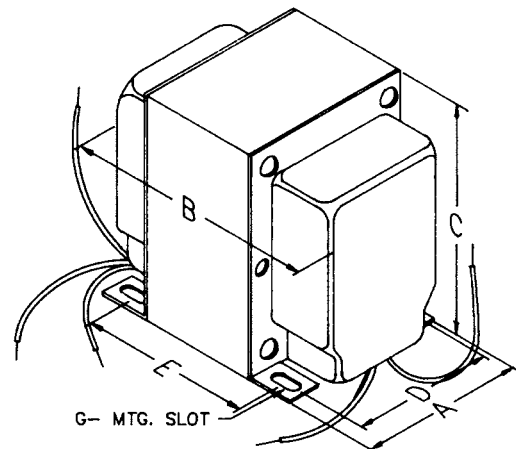
## "CLASSIC" PLATE & FILAMENT UNIVERSAL PRIMARY POWER TRANSFORMERS

- Primary: Universal - 100, 110, 120, 200, 220, 240 VAC 50/60 Hz.
- Secondary: High voltage designed for full wave C.T. use. See chart below (High voltage current is D.C. using C.T. Full Wave rectifier - capacitor input).
- Bias Tap: 50 VAC tap from high voltage secondary C.T.
- Highpot tested: 2,000 VAC
- Finish: Black powder painted to match our 1650 series of output transformers
- Windings: Concentric wound for low stray field and low noise
- Models: Includes our entire "200" SERIES range of units PLUS 2 models designed specifically for 300B tubes (Part Number 300BX) and 2A3 tubes (Part Number 302AX).
- For a more economical, open frame, universal primary - see our "260" series.

### "X" Mounting Dimension Table

Mtg. Style	Dimensions (Inches)					G - Mtg. Slot
	A	B	C	D	E	
X2	1.88	2.44	2.50	1.50	1.56	.19 X .31
X4	2.19	2.50	2.63	1.75	1.44	.19 X .25
X5	2.19	2.63	2.63	1.75	1.56	.19 X .25
X6	2.50	2.75	3.06	2.00	1.69	.203 X .38
X7	2.50	3.00	3.06	2.00	1.94	.203 X .38
X8	2.50	3.25	3.06	2.00	2.19	.203 X .38
X9	2.50	3.75	3.06	2.00	2.69	.203 X .38
X10	3.13	3.50	3.81	2.50	2.19	.203 X .38
X11	3.13	3.75	3.81	2.50	2.44	.203 X .38
X13	3.75	4.00	4.56	3.00	2.81	.203 X .38
X14	3.75	4.50	4.56	3.00	3.31	.203 X .38
X15	3.75	5.00	4.56	3.00	3.81	.203 X .38
X19	3.13	4.00	3.81	2.50	2.69	.203 X .38
X20	3.13	4.25	3.81	2.50	2.94	.203 X .38
X21	4.38	6.00	5.50	3.50	4.00	.203 X .38
X22	3.75	4.19	4.56	3.00	3.06	.203 X .38

### "X" Mounting Drawing



**CANADA**  
 Guelph, Ontario (519) 822-2960  
 St. Laurent, Quebec (514) 343-9010  
**USA**  
 Cheektowaga, NY (716) 630-7030

[www.hammondmfg.com](http://www.hammondmfg.com)



**EUROPE**  
 Basingstoke, UK 01256 812812

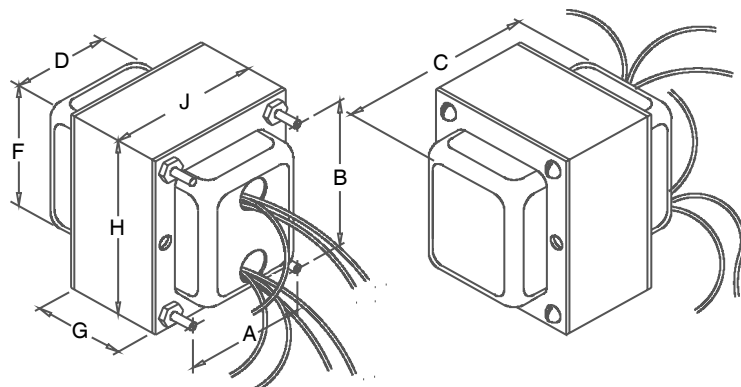
**AUSTRALIA**  
 Queenstown, Australia 61-8-8240-2244

# "Classic" Plate & Filament - Universal Primary (300 Series)

Power

Part Number	Total Power (VA)	Secondary		Bias Tap (VAC)	Filament #1 (VAC)	Filament #2 (VAC)	Filament #3 (VAC)	Filament #4 (VAC)	Dimension Reference
		Voltage	D.C. Current (ma.)						
363AX	32	100-0-100	100	50	5V C.T. @ 2A	-	-	-	X6
369AX	40	125-0-125	100	50	6.3V C.T. @ 2A	-	-	-	X6
369BX	39	150-0-150	75	50	6.3V C.T. @ 2A	-	-	-	X6
363CX	119	180-0-180	250	50	5V C.T. @ 3A	-	-	-	X11
369EX	45	190-0-190	65	50	6.3V C.T. @ 2.5A	-	-	-	X6
370X	41	240-0-240	40	50	5V C.T. @ 2A	6.3V C.T. @ 1.5A	-	-	X6
370AX	44	240-0-240	50	50	6.3V C.T. @ 2.5A	-	-	-	X6
369GX	50	225-0-225	65	50	6.3V C.T. @ 2.5A	-	-	-	X6
369JX	50	250-0-250	60	50	6.3V C.T. @ 2.5A	-	-	-	X6
370CAX	66	250-0-250	70	50	5V C.T. @ 2A	6.3V C.T. @ 2.5A	-	-	X8
370DAX	76	260-0-260	90	50	6.3V C.T. @ 3.5A	-	-	-	X8
370DAZ	76	260-0-260	90	50	6.3V C.T. @ 3.5A	-	-	-	Z10
370BX	55	275-0-275	50	50	5V C.T. @ 2A	6.3V C.T. @ 2A	-	-	X7
370CX	59	275-0-275	65	50	6.3V C.T. @ 0.6A	6.3V C.T. @ 2.5A	-	-	X7
370DX	86	275-0-275	90	50	5V C.T. @ 2A	6.3V C.T. @ 3A	-	-	X8
370EX	119	275-0-275	125	50	5V C.T. @ 3A	6.3V C.T. @ 4A	-	-	X11
370FX	141	275-0-275	150	50	5V C.T. @ 3A	6.3V C.T. @ 5A	-	-	X20
370HX	180	275-0-275	200	50	5V C.T. @ 3A	6.3V C.T. @ 6A	-	-	X20
371X	63	280-0-280	60	50	5V C.T. @ 2A	6.3V C.T. @ 2A	-	-	X7
372BX	98	300-0-300	100	50	5V C.T. @ 2A	6.3V C.T. @ 3A	-	-	X10
372DX	127	300-0-300	125	50	5V C.T. @ 3A	6.3V C.T. @ 4A	-	-	X11
372FX	150	300-0-300	150	50	5V C.T. @ 3A	6.3V C.T. @ 5A	-	-	X20
302AX	198	300-0-300	200	50	2.5V C.T. @ 2.5A	5V C.T. @ 3A	6.3V C.T. @ 6A	2.5V C.T. @ 2.5A	X13
372HX	191	300-0-300	200	50	5V C.T. @ 3A	6.3V C.T. @ 6A	-	-	X13
372JX	243	300-0-300	250	50	5V C.T. @ 4A	6.3V C.T. @ 8A	-	-	X14
372X	75	310-0-310	70	50	5V C.T. @ 2A	6.3V C.T. @ 2.4A	-	-	X8
376X	157	320-0-320	150	50	5V C.T. @ 3A	6.3V C.T. @ 5A	-	-	X20
373AZ	49	325-0-325	40	50	5V C.T. @ 2A	6.3V C.T. @ 2A	-	-	Z11
373CZ	159	325-0-325	150	50	5V C.T. @ 3A	6.3V C.T. @ 5A	-	-	Z12
373DX	101	350-0-350	90	50	5V C.T. @ 2A	6.3V C.T. @ 3A	-	-	X10
373DZ	101	350-0-350	90	50	5V C.T. @ 2A	6.3V C.T. @ 3A	-	-	Z13
373X	125	350-0-350	110	50	5V C.T. @ 2A	6.3V C.T. @ 4A	-	-	X11
373BX	187	350-0-350	175	50	5V C.T. @ 3A	6.3V C.T. @ 5A	-	-	X13
374AX	136	360-0-360	120	50	5V C.T. @ 3A	6.3V C.T. @ 3.5A	-	-	X11
374X	141	375-0-375	110	50	5V C.T. @ 3A	6.3V C.T. @ 5A	-	-	X20
374BX	200	375-0-375	175	50	5V C.T. @ 3A	6.3V C.T. @ 6A	-	-	X13
375X	171	400-0-400	135	50	5V C.T. @ 3A	6.3V C.T. @ 5A	-	-	X20
378X	237	400-0-400	200	50	5V C.T. @ 3A	6.3V C.T. @ 6A	-	-	X22
300BX	280	400-0-400	250	50	5V C.T. @ 1.2A	5V C.T. @ 3A	6.3V C.T. @ 6A	-	X15
378CX	465	400-0-400	465	50	6.3V C.T. @ 6A	-	-	-	X21
379X	193	425-0-425	150	50	5V C.T. @ 3A	6.3V C.T. @ 5A	-	-	X22
382X	283	500-0-500	200	50	5V C.T. @ 3A	6.3V C.T. @ 6A	-	-	X15

## "Z" Mounting - Drawing



## "Z" Mounting - Dimension Table

Mtg. Style	Dimensions (Inches)							
	A	B	C	D	F	G	H	J
Z10	2.25	2.81	3.50	2.50	2.44	1.30	3.38	2.81
Z11	2.50	2.81	3.45	1.87	2.44	1.25	3.38	2.81
Z12	2.50	3.15	4.08	2.06	2.69	1.84	3.75	3.13
Z13	2.50	3.15	3.60	2.06	2.69	1.39	3.75	3.13

For wiring diagrams - visit our website:

[www.hammondmfg.com](http://www.hammondmfg.com)

### EUROPE

Basingstoke, UK 01256 812812

### AUSTRALIA

Queenstown, Australia 61-8-8240-2244

[www.hammondmfg.com](http://www.hammondmfg.com)



### CANADA

Guelph, Ontario (519) 822-2960  
St. Laurent, Quebec (514) 343-9010

### USA

Cheektowaga, NY (716) 630-7030

