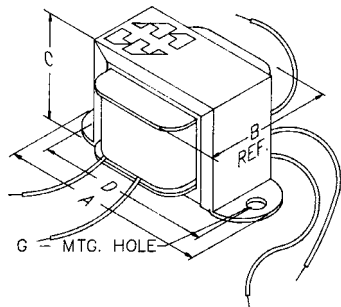
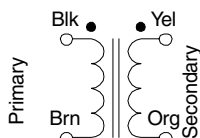


# Chassis & P.C. Board Mount (612, 630-632 Series)

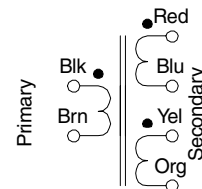


## PULSE TRANSFORMERS

- Economical, open style, chassis mount.
- Mounting hole (G) - .187"
- Units are intended for pulse applications including thyristor/triac firing circuits.
- Flexible leads - 4" minimum.

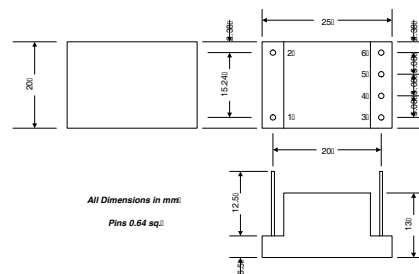
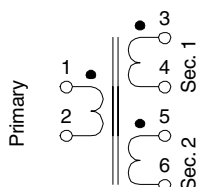


612G



612H

Part No.	Ratio	Circuit Max. Volts	Primary ET Constant V (uS)	Primary		D.C. Winding Resistance		Max. Primary or Secondary Peak Current		Insulation RMS (Volts)	Wt. Oz.	Dimensions (Inches)			
				Inductance mH (min.)	D.C. Res. (Ohms)	Sec. 1 (Ohms)	Sec. 2 (Ohms)	@ 10% Duty	@ 1% Duty			A	B	C	D
612G	1:01	600	4500	6.6	0.87	0.87	-	0.9 A	2.8 A	4000	8	2.06	1.25	1.19	1.75
612H	1:01	600	2300	1.5	0.45	0.42	0.49	0.9 A	2.8 A	4000	8	2.06	1.25	1.19	1.75



## PULSE TRANSFORMERS

- These transformers are fully encapsulated in a high grade black molded case with a UL94V-O rating.
- They are intended mainly for thyristor / triac triggering applications.
- All units are voltage proof tested between windings at 2,500V RMS for 1 minute, for a working voltage rating maximum of 440V RMS.

Pulse

Part No.	Turns Ratio	Primary		Leakage Inductance uH (max)	Capacity pf. (max)	D.C. Winding Resistance			
		Inductance mH (min.)	ET Constant V uS			Pri. (Ohms)	Sec. 1 (Ohms)	Sec. 2 (Ohms)	Sec. 3 (Ohms)
630B	1:01	1	120	2	50	0.25	0.23	-	-
631B	1:01	1	120	3	40	0.25	0.22	0.28	-
632B	2:01	1	120	3.5	30	0.24	0.12	0.15	-
630C	1:01	4	240	5	55	0.86	0.83	-	-
631C	1:01	4	240	11	35	0.90	0.76	1.10	-
632C	2:01:01	4	240	11	35	0.84	0.38	0.50	-
630D	1:01:00	16.3	482	18	65	3.50	3.40	-	-
631D	1:01:01	16.3	482	40	40	3.60	3.10	4.20	-
632D	2:01:01	16.3	482	40	40	3.50	1.60	2.00	-



**CANADA**  
Guelph, Ontario (519) 822-2960  
St. Laurent, Quebec (514) 343-9010  
**USA**  
Cheektowaga, NY (716) 630-7030

[www.hammondmfg.com](http://www.hammondmfg.com)



**EUROPE**  
Basingstoke, UK 01256 812812

**AUSTRALIA**  
Queenstown, Australia 61-8-8240-2244