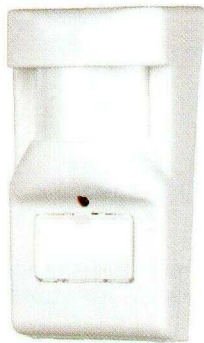


## H-MOSS® Occupancy Sensors

**Ceiling and Wall Mount Sensors**

Passive Infrared

PIR1000C, PIR500C  
HMC1AC

PIR1600W, PIR90HW1

Hubbell PIR series sensors detect occupancy based on a passive infrared signal. The ceiling mount model is available with a wide view lens for large areas with multiple occupants and a high density lens for areas with a single occupant where small motion detection is desired. The wall mount model is available with wide view and hallway coverage patterns and includes a photocell for ambient light level control. A CU series control unit is required for use with PIR series sensors.

| Description  | Catalog Numbers |
|--|-----------------|
| Passive infrared ceiling sensor, wide view lens, 1000 sq. ft. coverage.  | <b>PIR1000C</b> |
| Passive infrared ceiling sensor, high density lens, 500 sq. ft. coverage.  | <b>PIR500C</b>  |
| Passive infrared wall mount sensor, wide view lens, 1600 sq. ft. coverage, with photocell.   | <b>PIR1600W</b> |
| Passive infrared wall mount sensor, hallway lens, 75 linear ft. coverage, with photocell.  | <b>PIR90HW1</b> |
| Passive infrared ceiling sensor, wide view lens, 1000 sq. ft. coverage, 24V AC, for use with Direct Digital Control (DDC) Systems. | <b>HMC1AC</b>   |
| Adapter plate for use with PIR1000C, PIR500C, HMC1AC, or LON1C when mounting on a 4" octagonal flush steel box and concrete ring.  | <b>HMCAP</b>    |

Notes: A CU series control unit is required for use with PIR series ceiling and wall mount sensors.

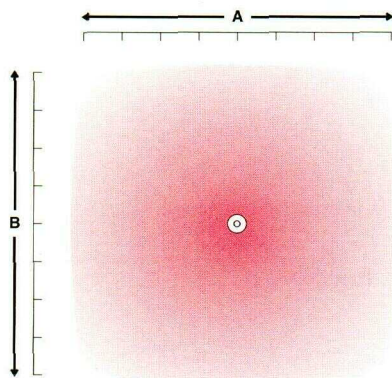
See page D-11 for control units and Add-A-Relay.

See pages D-16-19 for technical data and wiring schematics.

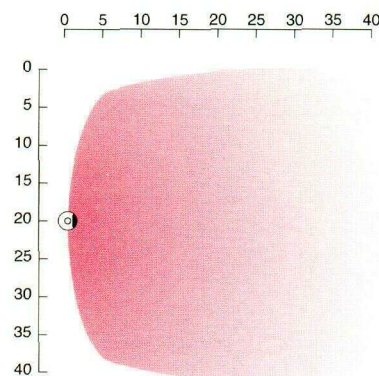
## Coverage Patterns



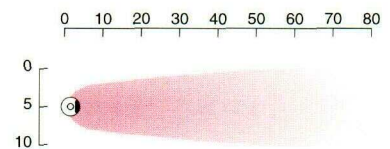
Passive Infrared



| Catalog #          | A(ft.) | B(ft.) |
|--------------------|--------|--------|
| PIR1000C<br>HMC1AC | 28     | 24     |
| PIR500C            | 24     | 24     |



PIR1600W



PIR90HW1

## H-MOSS® Occupancy Sensors

**Specifications***Ceiling and Wall Mount Sensors***Adaptive Technology Dual, Ultrasonic, and Passive Infrared Ceiling and Wall Mount Sensors  
ATD, ATU, ATP Series Ceiling and Wall Mount Sensors****Electrical**

|   |   |
|---|---|
| Power Requirements                      | 24V DC nominal, 33mA from Hubbell CU series control unit. |
| Isolated Relay (sensors with RP suffix) | Normally open and normally closed. terminals available    |
| Agency Approvals                        | UL Listed.  |

**Physical Ceiling Sensors**

|                 |                               |
|-----------------|-------------------------------|
| Housing         | Flame retardant UL 94 V-0 ABS |
| Lens            | Polyethylene                  |
| Dimensions      | 4.5" diameter, 1.5" height.   |
| Color           | Office White.                 |
| Mounting Height | 8 to 12 ft.                   |

**Physical Wall Mount Sensors**

|                 |                               |
|-----------------|-------------------------------|
| Housing         | Flame retardant UL 94 V-0 ABS |
| Lens            | Polyethylene                  |
| Dimensions      | 6"H x 2"W x 1.5"D.            |
| Color           | Office White.                 |
| Mounting Height | 8 to 12 ft.                   |

**Environmental**

|           |   |
|-----------|---|
| Operating | 32° F to 104° F (0° C to 40° C) with rate of change not exceeding 20° F (11° C) per hour; 0% to 95% non-condensing relative humidity. |
| Storage   | -20° F to 150° F (-29° C to 65° C); 0% to 95% noncondensing relative humidity.  |

**Controls**

|  |   |
|--|---|
| Time Delay                             | Test (8 seconds), adaptive 8 to 40 minutes. |
| Ambient Light (sensors with RP suffix) | 1 to 1,000 foot candles.                    |
| Sensitivity                            | Adaptive 0 to 100%.                         |

**Sensing Indicators**

|                                       |            |
|---------------------------------------|------------|
| Ultrasonic (ATD and ATU Series)       | Green LED. |
| Passive Infrared (ATD and ATP Series) | Red LED.   |

**Passive Infrared Ceiling and Wall Mount Sensors  
PIR Series Ceiling and Wall Mount Sensors****Electrical**

|                    |   |
|--------------------|---|
| Power Requirements | 24V DC nominal, 33mA from Hubbell CU series control unit. |
|--------------------|---|

**Physical Ceiling Sensors**

|                 |                              |
|-----------------|------------------------------|
| Housing         | ABS                          |
| Lens            | Polyethylene                 |
| Dimensions      | 3.5" diameter, 1.19" height. |
| Color           | Office White.                |
| Mounting Height | 8 to 12 ft.                  |

**Physical Wall Mount Sensors**

|                 |                           |
|-----------------|---------------------------|
| Housing         | Polypropylene             |
| Lens            | Polyethylene              |
| Dimensions      | 4.34"H x 2.38"W x 1.83"D. |
| Color           | Office White.             |
| Mounting Height | 8 to 12 ft.               |

**Environmental**

|           |  |
|-----------|--|
| Operating | 32° F to 120° F (0° C to 49° C) with rate of change not exceeding 20° F (11° C) per hour; 20% to 90% non-condensing relative humidity. |
| Storage   | -20° F to 150° F (-29° C to 65° C); 20% to 90% noncondensing relative humidity.  |

**Controls**

|               |  |
|---------------|--|
| Time Delay    | 30 seconds to 30 minutes.                            |
| Ambient Light | 25 to 300 foot candles (PIR1600W and PIR90HW1 only). |

**Sensing Indicators**

|                  |          |
|------------------|----------|
| Passive Infrared | Red LED. |
|------------------|----------|



# H-MOSS® Occupancy Sensors

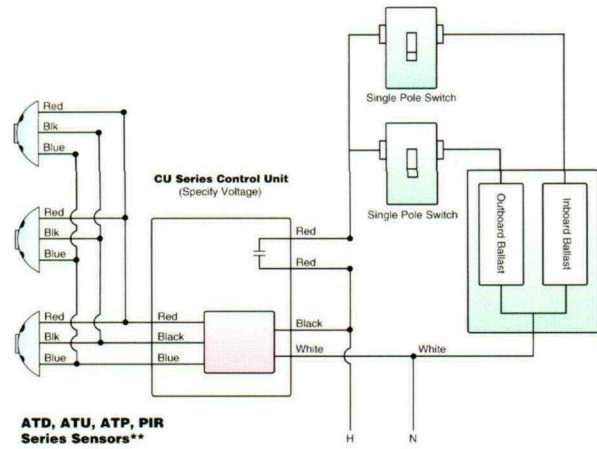
## Wiring Schematics

Ceiling and Wall Mount Sensors

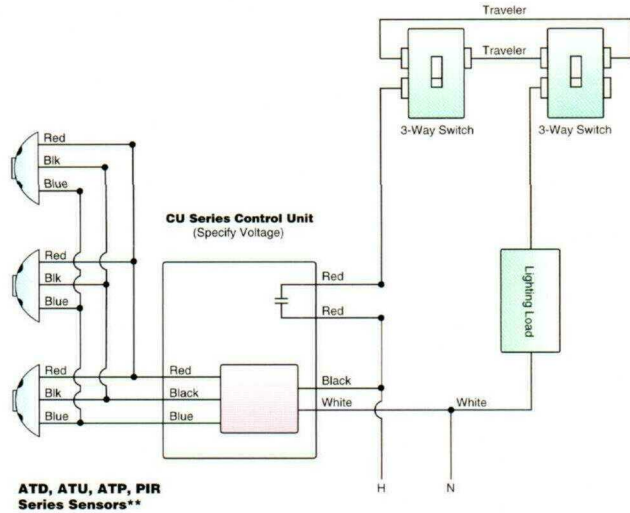
Adaptive Technology Dual, Ultrasonic, and Passive Infrared Ceiling and Wall Mount Sensors and Passive Infrared Ceiling and Wall Mount Sensors

ATD, ATU, ATP and PIR Series Ceiling and Wall Mount Sensors

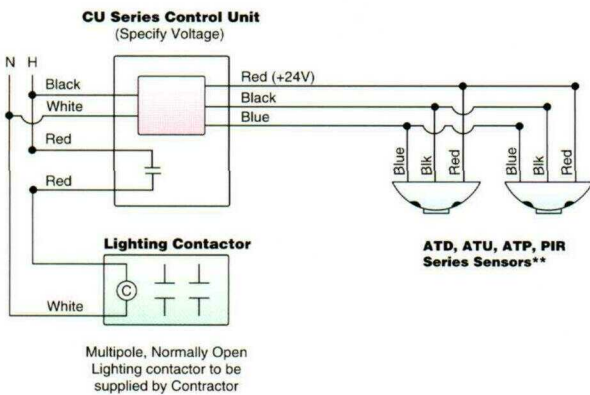
**Single Circuit, Dual Level Switching Application:**  
1 to 3 sensors wired to control unit with optional override off switches.



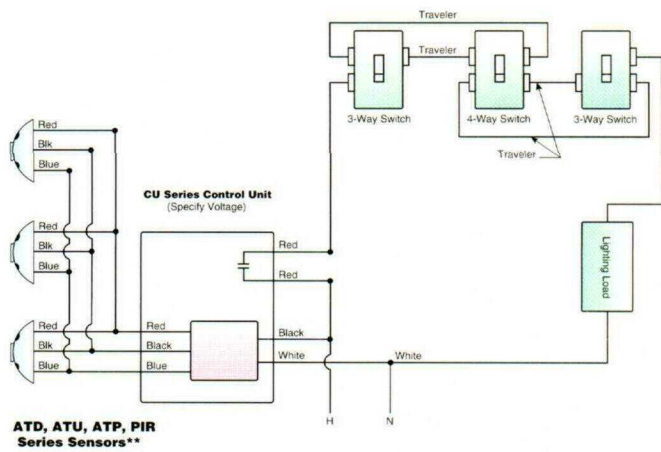
**Single Circuit, 3-Way Switching Application:**  
1 to 3 sensors wired to control unit with optional override off switches.



**Multi-Circuit Application:**  
1 to 3 sensors wired to control unit that is wired to a multi-pole lighting contactor.



**Single Circuit, 4-Way Switching Application:**  
1 to 3 sensors wired to control unit with optional override off switches.



**\*\*NOTE:** For wiring sensors with isolated relay and photocell option (models with "RP" suffix): Photocell Option: Cap off Blue sensor wire. Connect Grey sensor wire to Blue control unit wire. Isolated Relay Option: Common-Blue/White wire, Normally Closed-Black/White wire, Normally Open-Yellow/White wire.