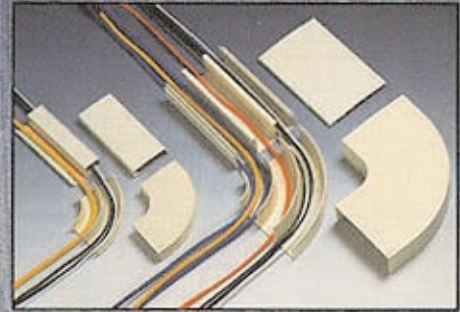


**PolyTrak®  
Nonmetallic Raceway  
Category 5 / Fiber Optic Fittings**

# HUBBELL



Hubbell introduces a new series of raceway elbows and fittings which will expand PolyTrak® raceway data communication capabilities. These category 5 TIA/EIA compliant fittings are designed to maintain a minimum 1-1/4" bending radius for category 5 data cables or fiber optic cables. One series of fittings is for use with BaseTrak® multi-channel raceway, and another series is for WallTrak® 22 two-channel raceway. The elbows

are available with a molded mating base, which maintains multichannel separations, while also eliminating the need to miter cut raceway corners. For low voltage voice/data applications, the large radius elbow covers are also offered without the mating base.

These new fittings can create a modern efficient "horizontal" telecommunications and power raceway system to the work station.

## Features

- Maintain 1-1/4" cable bending radius
- Designed for BaseTrak®/ WallTrak® 22 raceway
- Available without molded mating base
- Available with molded mating base
- Transition tee fitting
- Nonmetallic
- Office white color

## Benefits

- Compliant with TIA/EIA standards; controls bending of UTP and fiber optic cable.
- Complements raceways' power capabilities.
- Inexpensive method to control data cable bending.
- Eliminates miter cutting raceway at corners.
- Combines BaseTrak and WallTrak 22 raceways into one system.
- Impact resistant; non-conductive; easy to install.
- Attractive; matches office equipment.

## BaseTrak® Three Channel Raceway

### CATEGORY 5 LARGE RADIUS FITTINGS

BaseTrak raceway power and voice/data cabling capabilities are significantly expanded with the offering of category 5 compliant elbows and fittings. These fittings maintain a minimum 1-1/4" cable bending radius at all corners along the raceway system. Each UL listed external, flat, and internal elbow includes a cover and a molded base, which maintain the raceway's three channel separation. The molded base also eliminates the need to miter cut the raceway at corners. The BaseTrak to WallTrak® 22 tee fitting does not have a molded base. It is used to transition from BaseTrak to WallTrak 22 raceway, while maintaining cable bend control of data cables.



Description	Catalog No.
Radius external elbow; base with cover	<b>BT3EE5</b>
Radius flat elbow; base with cover	<b>BT3FE5</b>
Radius internal elbow; base with cover	<b>BT3IE5</b>
Radius tee cover; BaseTrak to WallTrak 22	<b>BTWTTC</b>

## WallTrak® 22 Two Channel Raceway

### CATEGORY 5 LARGE RADIUS FITTINGS

The category 5 compliant elbows and fittings for WallTrak 22 raceway are designed to maintain a minimum 1-1/4" bending radius for data cables. The internal and flat elbows are offered as snap on covers only (for low voltage installations), and also as covers with molded bases (UL listed and required for power installations). The radius tee cover may be used to feed from only one WallTrak channel. It does not include an molded base component. The new ceiling feed fitting provides bend control for low voltage cables accessed from above the ceiling, and entering into WallTrak 22 raceway.



Description	Catalog No.
Radius ceiling feed cover fitting	<b>WT2CF</b>
Radius external elbow; base with cover	<b>WT2EE5BC</b>
Radius flat elbow cover	<b>WT2FE5</b>
Radius flat elbow; base with cover	<b>WT2FE5BC</b>
Radius internal elbow cover	<b>WT2IE5</b>
Radius internal elbow; base with cover	<b>WT2IE5BC</b>
Radius tee cover	<b>WT2TC5</b>

# PolyTrak® Nonmetallic Raceway Systems Selection Chart

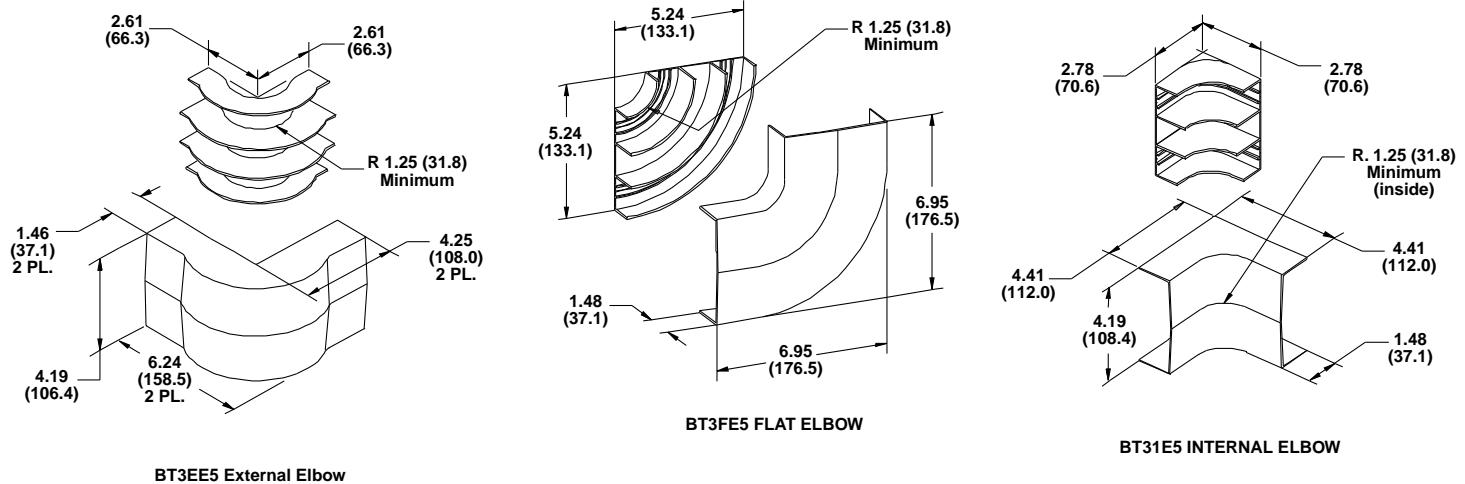
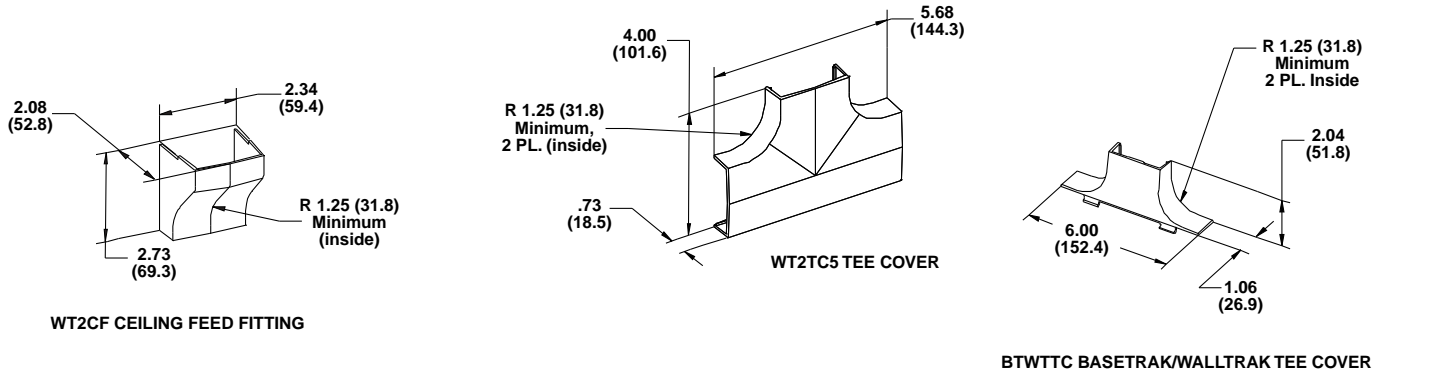
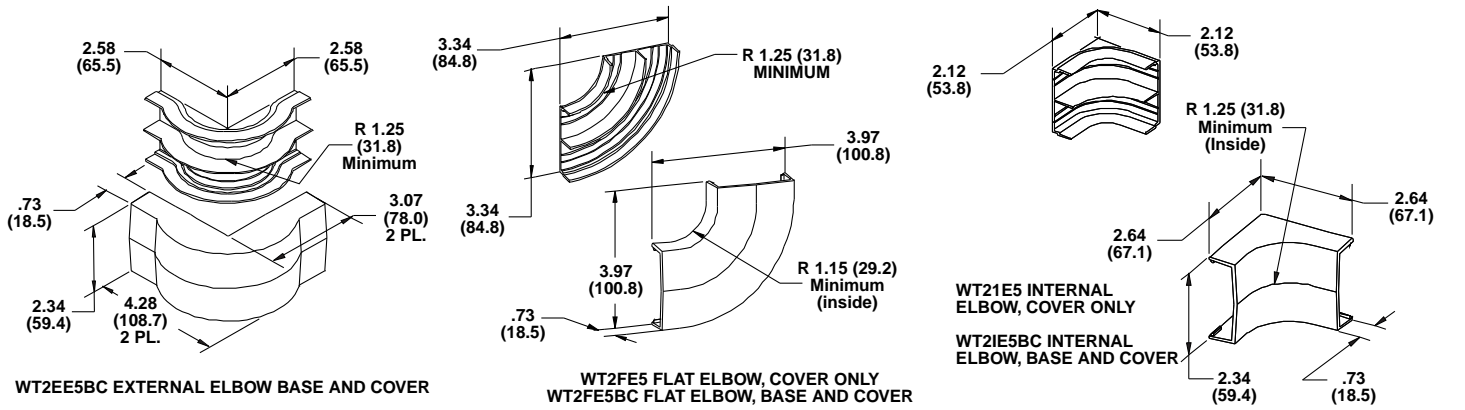
BaseTrak	WallTrak 22	WallTrak 1	Premise Trak 2	Premise Trak 1
<p>BT3BC5 (5 FT) BT3BC10 (10 FT)</p>	<p>WT22BC5 5 FT WT22ABC5 5 FT ADHESIVE WT22BC7 7 FT WT22ABC7 7 FT ADHESIVE</p>	<p>WT1BC5 5 FT WTIABC5 5FT WTIBC7 7FT WTIABC 7FT</p>	<p>PT2BC5 5FT PT2BC7 7FT</p>	<p>PT1BC5 5FT PT1ABC 5 5FT PT1BC7 7FT PT1ABC7 7FT</p>

Typical	Description	BaseTrak®	WallTrak® 22	WallTrak® 1	PremiseTrak® 2	PremiseTrak® 1
	1-Gang Box, Deep	—	WT12DBA	WT12DBA	PT12DBA	PT12DBA
	1-Gang Box, Standard	—	WT12SBA	WT12SBA	PT12SBA	PT12SBA
	1-Gang Box, Low Profile	—	WT12LPB	WT12LPB	PT12LPB	PT12LPB
	2-Gang Box	—	WT12TGB	WT12TGB	PT12TGB	PT12TGB
	2-Gang Box with Divider	—	WT12TGBD	—	—	—
	Light Fixture Box	—	WT12LFB	WT12LFB	PT12LFB	PT12LFB
	Inline Device Box (1-Gang)	BT3IND	—	—	—	—
	Raised Device Box (1-Gang)	BT3RDB	—	—	—	—
	Raised Device Box (2-Gang)	BT3RDB2G	—	—	—	—
	Flat Elbow	BT3FE	WT2FE	WT1FE	PT2FE	PT1FE
	Radius Flat Elbow cover	—	WT2FE5	—	—	—
	Radius Flat Elbow base w/cover	BT3FE5	WT2FE5BC	—	—	—
	Internal Elbow	BT3IE	WT2IE	WT1IE	PT2IE	PT1IE
	Radius Int. Elbow cover	—	WT2IE5	—	—	—
	Radius Int. Elbow base w/cover	BT3IE5	WT2IE5BC	—	—	—
	External Elbow	BT3EE	WT2EE	WT1EE	PT2EE	PT1EE
	Radius Ext. Elbow cover	—	WT2EE5	—	—	—
	Radius Ext. Elbow base w/cover	BT3EE5	WT2EE5BC	—	—	—
	Tee Cover	—	WT2TC	WT1TC	PT2TC	PT1TC
	Tee Fitting with Divider	BT3TCA	WT2TF	—	—	—
	Radius Tee Cover	BTWTTC (BaseTrak/Walltrak)	WT2TC5	—	—	—
	Splice Cover	BT3SC	WT2SC	WT1SC	PT2SC	PT1SC
	End Cap	BT3EC	WT2EC	WT1EC	PT2EC	PT1EC
	Conduit Adapter	BT3CA	WT2CA	WT1CA	PT12CA	PT12CA
	Reducer	WT23R	WT12R	—	PT2WTA	PT1WTA
	Ceiling Fitting	—	WT2CF	—	—	—

## Device Face Plates

KP1	KP7	KP8	KP14	KP26	KP720	KP262	KP82	KP2148	KP2168	KP2	KP18

## Dimensions



## Specifications

Materials	UV stabilized PVC
Listing/Approvals	UL Listed, CSA Certified
Flammability	UL94VO
National Electrical Code	Article 352B
Voltage	300V AC max.
Minimum maintained bending radius	1.25" (31.8) , 1.15" (29.21) on WT2FE5

Consult Hubbell Wiring Device-Kellems catalog for category 5 modular jacks and other voice/data accessories.



### Wiring Device - Kellems

Hubbell Incorporated (Delaware) • 185 Plains Road • Milford, CT 06460-2420 • (203) 882-4800 • FAX (800) 255-1031  
 World Wide Web URL: <http://www.hubbell-wiring.com>

### Worldwide Locations

Hubbell Canada (905) 839-1138, Fax (905) 839-9108  
 Hubbell Ltd. England (441) 234-85444, Fax (441) 234-854008  
 Hubbell-Taian Co., Ltd., (886) 2 567-5995, Fax (886) 2 567-4853  
 Hubbell Int'l. Inc., Korea Branch (82) 2 607-1362, Fax (82) 2 603-7386

Hubbell de Mexico, S.A. de C.V. (52) 5 575-2022, Fax (52) 5 559-8626  
 Caribe Sales Agencies, Puerto Rico (809) 720-7185, Fax (809) 789-2796  
 Hubbell S.E. Asia Pte., Ltd., (65) 382-1600, Fax (65) 382-3727  
 Hubbell Inc. Middle East (971) 4 369-763, Fax (971) 4 360-541