

Choose the appropriate configuration from the Selector below.

Hubbell Logic Configurator


For example, catalog number **HBMS05501** is derived as follows:

DEVICE TYPE	SHELL MATERIAL	BODY STYLE	POLES	CONDUCTOR TYPE	LEAD WIRE LENGTH (ft)
HR = Receptacle, Female HB = Receptacle, Male	M = Metallic N = Nylon	A = Right Angle* S = Straight F = Flange Mount* <i>*Metallic Only</i>	02 03 04 05 06	5 = #16 AWG Discrete Wire 6 = #18 AWG IEC Discrete Wire (IEC colors)* <i>*3 - 5 Pole Only</i>	01 * ** <i>*1 Standard Length **Replace with Length</i>
HB	M	S	05	5	01

Note: Availability of specific items may vary. Consult factory for delivery. Use this chart to build receptacles to meet any application need. Consult the factory for additional wire lengths or wire types.

2 - 6 Pole Receptacles

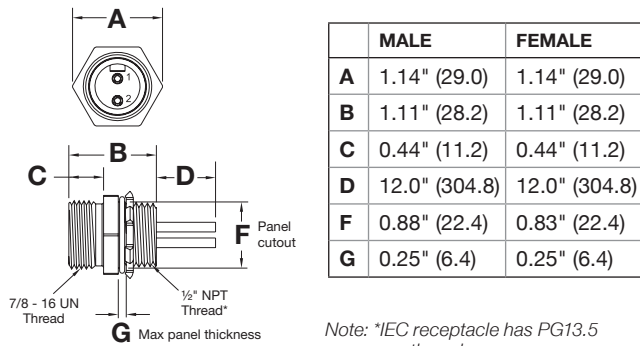
#16 AWG Discrete Wire ♦

Poles	Male Face Shown Female - mirror image	Female Receptacles				Male Receptacles			
		Straight	Nylon	Right Angle	Flange Mount	Straight	Nylon	Right Angle	Flange Mount
2		HRMS02501	HRNS02501	HRMA02501	HRMF02501	HBMS02501	HBNS02501	HBMA02501	HBMF02501
3		HRMS03501	HRNS03501	HRMA03501	HRMF03501	HBMS03501	HBNS03501	HBMA03501	HBMF03501
4		HRMS04501	HRNS04501	HRMA04501	HRMF04501	HBMS04501	HBNS04501	HBMA04501	HBMF04501
5		HRMS05501	HRNS05501	HRMA05501	HRMF05501	HBMS05501	HBNS05501	HBMA05501	HBMF05501
6		HRMS06501	HRNS06501	HRMA06501	HRMF06501	HBMS06501	HBNS06501	HBMA06501	HBMF06501

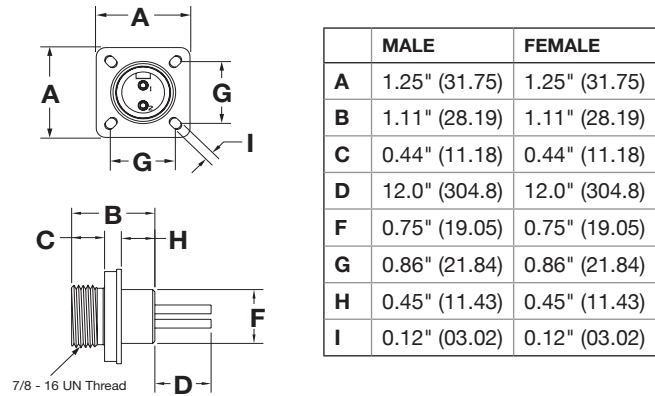
Note: ♦ For #18 AWG IEC discrete wire, change the conductor type using the Hubbell Logic chart above.



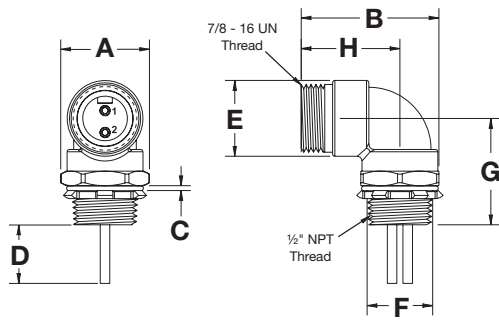
Straight Receptacles



Flange Mount Receptacles



Right Angle Receptacles



	MALE	FEMALE
A	1.14" (29.0)	1.14" (29.0)
B	1.76" (44.7)	1.76" (44.7)
C	0.25" (6.4)	0.25" (6.4)
D	12.0" (304.8)	12.0" (304.8)
E	0.97" (24.6)	0.97" (24.6)
F	0.83" (21.8)	0.83" (21.8)
G	1.36" (34.5)	1.36" (34.5)
H	1.26" (32.0)	1.26" (32.0)

Accessories

Closure caps protect plugs and receptacles when not in use. Shell size is 1, and the thread is 7/8-16 UN.

Description	Catalog Number
Closure Cap	HPCAP1
Closure Cap	HRCAP1

Dimensions in Inches (mm)

Color Code By Wire Type

#16 AWG Receptacles

Contact Number	2 Pole	3 Pole	4 Pole	5 Pole	6 Pole
1	White	Green	Black	White	White
2	Black	Black	White	Red	Red
3		White	Red	Green	Green
4			Green	Orange	Orange
5				Black	Black
6					Blue

#18 AWG Receptacles

Contact Number	3 Pole	4 Pole	5 Pole
1	Yellow/Green	Black	Black
2	Brown	Blue	Blue
3	Blue	Brown	Yellow/Green
4		White	Brown
5			White