

Choose the appropriate configuration from the Selector below.

Hubbell Logic Configurator

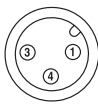
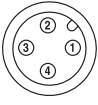
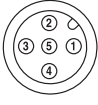
For example, catalog number **MRMS13314** is derived as follows:

DEVICE TYPE	COUPLING NUT MATERIAL	BODY STYLE	KEY STYLE	POLES	CONDUCTOR TYPE	REAR THREAD STYLE
MB = Receptacle, Male MF = Receptacle, Female Inverse	M = Metallic	S = Straight	1 = Single	3 4 5	3 = #22 AWG PVC Discrete Wire 4 = #18 AWG PVC Discrete Wire* *3 - 4 Pole Only	14 = M14x1* 25 = ¼" NPT** 50 = ½" NPT* *MB Style Only **MF Style Only
MR	M	S	1	3	3	14

Note: Availability of specific items may vary. Consult factory for delivery. Consult the factory for additional cable lengths or cable types.

3 - 5 Pole Single Key Receptacles- #22 AWG Discrete Wire*

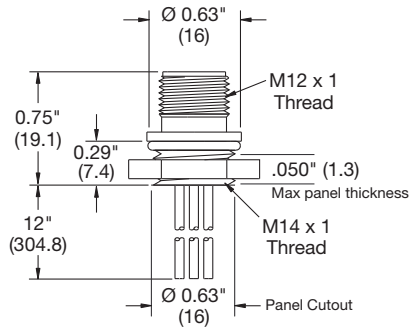
Catalog numbers using #22 AWG PVC discrete wire are listed below. For #18 AWG PVC discrete wire, change the conductor type per the Hubbell Logic chart above.

Poles	Male Face Shown Female - mirror image	Male Receptacle Rear Thread Style		Female Inverse Receptacles Rear Thread Style
		M14 x 1	½" NPT	¼" NPT
3		MBMS13314	MBMS13350	MFMS13325
4		MBMS14314	MBMS14350	MFMS14325
5		MBMS15314	MBMS15350	MFMS15325

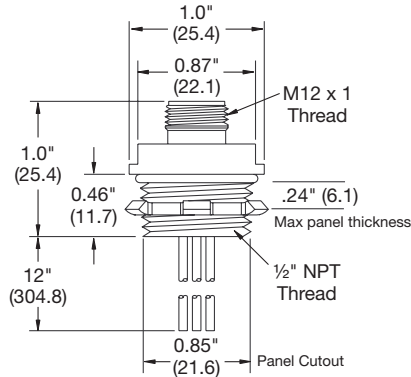
Note: *For #18 AWG discrete wire, replace the conductor type per Hubbell Logic chart above.
 All receptacles available in 1ft. length standard. For additional lengths, please consult factory.



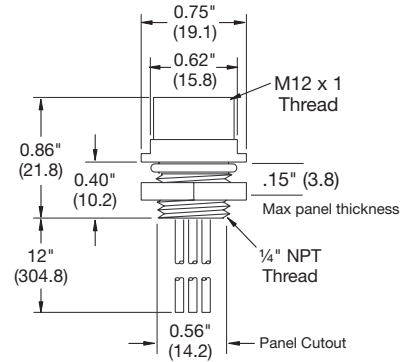
**Male Receptacle
Rear Thread - M14x1**



**Male Receptacle
Rear Thread - 1/2" NPT**



**Female Inverse Receptacle
Rear Thread - 1/4" NPT**



Conductor Color Code - Single Key

Contact Number	3 Pole	4 Pole	5 Pole
1	Brown	Brown	Brown
2	Not Used	White	White
3	Blue	Blue	Blue
4	Black	Black	Black
5	Not Used	Not Used	Gray

Accessories

Dust Caps

Closure caps protect plugs and receptacles when not in use. Thread is M12 x 1.

Catalog Number	
MRCM1	
MPCM1	