

MEDIUM BI-PIN STRAIGHT-IN LAMPHOLDERS

G13 Base



LINEAR FLUORESCENT

Lampholders for Straight-In Lamp Insertion

Dedicated for T-8 Lamps

Molded in white thermosetting urea. Copper-alloy, double edge contacts, with easy-to-install design. Knife-edge contacts. Slide-on mounting for 20-gauge panels (Cat. No. 13451-020) or 18-gauge panels (Cat. No. 13451-018) permits quick installation. Terminals are push-in wire type. Will accept No. 18 AWG wire, either solid, solder-dipped, or twisted-tinned-and-fused wire.

Standard pack: bulk

Cat. No. 13451-018: For 18 gauge panel mount.

Cat. No. 13451-020: For 20 gauge panel mount.

Cat. No. 13451-0NX: Captive nut and screw.

Cat. No. 13451-00N: Same as 13451-0NX, with captive nut only.
#6-32 x 3/8" screws packed bulk.



Lampholder with Internal Shunt Connection

Specially designed for use with electronic ballasts. Provides easier fixture assembly by eliminating need for jumper-wire.

Cat. No. 23451-018: For 18-gauge panel mount.

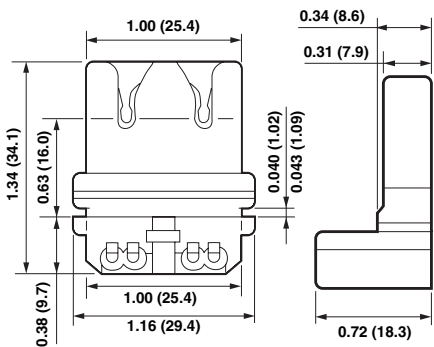
Cat. No. 23451-020: For 20-gauge panel mount.

Cat. No. 23451-0NX: Captive nut and screw.

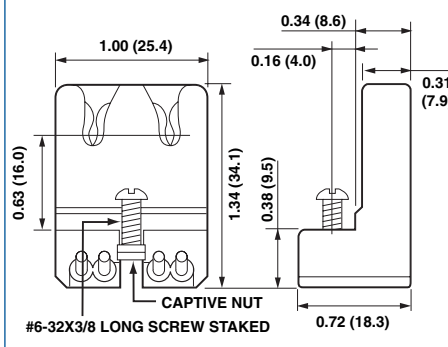
Cat. No. 23451-00N: Same as 23451-0NX, with captive nut only,
#6-32 x 3/8" screws packed bulk.



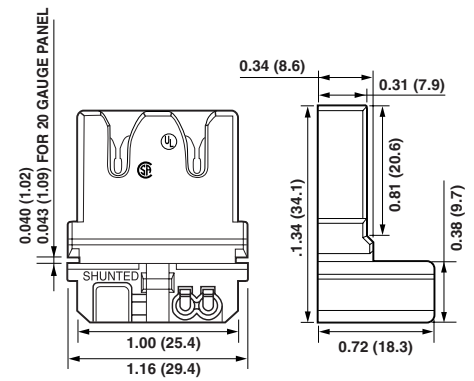
- 660W-600V
- UL Listed E-5833
- CSA Certified LR-5863
- NOM Certified 057



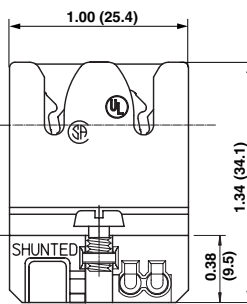
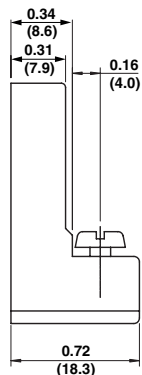
Cat. No. 13451-020



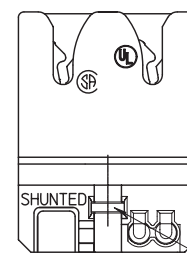
Cat. No. 13451-0NX



Cat. No. 23451-020



Cat. No. 23451-0NX



Cat. No. 23451-00N

CAPTIVE NUT TAPPED 6-32