

# KEYLESS FIXTURE LAMPHOLDERS

Porcelain  
Medium Base E26



INCANDESCENT

## Porcelain Keyless Fixture Lampholders

**Cat. No. 8052 Series:** Unglazed porcelain body with wireways. Aluminum screw shell. Standard leads are No. 18 ga. 105°C AWM-TEW plastic insulated wire, 6" long, stripped 3/4". Other wire specifications are available. Insulating cover attached on request.

**Standard pack:** bulk

- 660W-250V • UL Listed E-3810
- CSA Certified LR-1863 • NOM Certified 057



8052



8063

**Cat. No. 8063:** Unglazed porcelain body. Aluminum screw shell. #8-32 mounting bushing is located 3/8" off-center. Standard leads are No. 18 ga. 105°C AWM-TEW plastic insulated wire, 9" long, stripped 3/4".

**Standard pack:** bulk

- 660W-250V • UL Recognized Component • CSA Certified LR-1863
- NOM Certified 057

**Cat. No. 8062:** Unglazed porcelain body. Center bushing tapped #8-32. Standard leads are No. 18 ga. 105°C AWM-TEW plastic insulated wire 9" long, stripped 3/4". Aluminum screw shell.

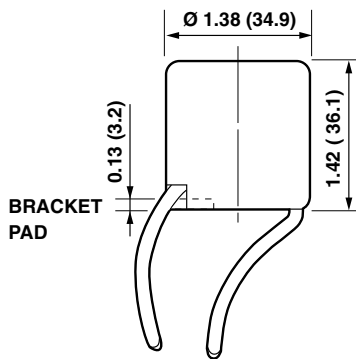
**Standard pack:** bulk

- 660W-250V • UL Recognized Component • CSA Certified LR-1863
- NOM Certified 057

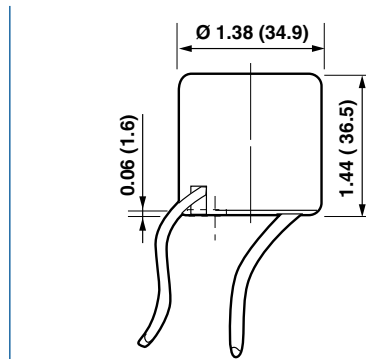


8062

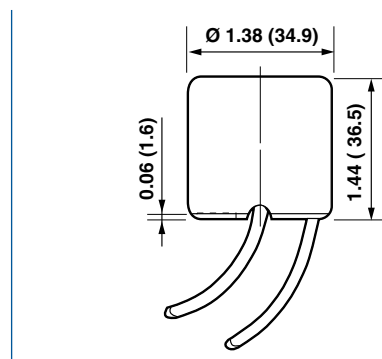
SECTION E



Cat. No. 8052



Cat. No. 8063



Cat. No. 8062