

### Weather Resistant Covers

Leviton's full line of Raintight and Weather Resistant Covers are ruggedly constructed to seal out moisture, dust, debris and insects, while providing easy access to receptacles. Industrial Grade covers are designed for rugged conditions. Their sturdy, gasketed covers mount vertically or horizontally. Leviton makes two innovative Raintight While-in-Use Covers: telescoping and metal. Designed for decks, patios, porches and similar locations, they're more than a match for the vagaries of weather. The telescoping cover sports a low-profile when in the contracted position, while the metal cover features a self-closing lid made of powder-coated cast zinc. Leviton Weather Resistant Covers let homeowners use power tools, trimmers, sprinkler systems and pumps with confidence and safety. They're also ideal for outdoor security, landscape, accent and holiday lighting.



#### Specifications and Features

- Glass-filled thermoplastic cover and plate for outstanding impact resistance and durability
- UL 94-V0 Flammability Rating
- Superior IP 64 Suitability rating protects against dust particles and splashing water
- NEMA Type 3R enclosure rating ensures protection against rain, sleet and damage from external ice formation
- Dual gaskets, one under plate and one under lid, for weather-resistant fit
- Stainless steel hinge-pin, spring and mounting screws for excellent corrosion resistance
- Triple-combination screws accept Phillips, straight-blade or Robertson-head screwdrivers
- Oversized cover tab for easier opening with gloved hands
- Mounts to panel or FS/FD boxes
- UL Listed and CSA certified for wet locations with cover closed
- Backed by a Limited 10-Year Warranty

## Industrial Grade



### WEATHER-RESISTANT COVERS

Description	Color	Cat. No.
For use with 15A locking, 15A and 20A straight-blade flanged inlets and outlets	Grey	WP1
For use with 20A and 30A 3-, 4-, and 5-wire locking flanged inlets and outlets; 30A and 50A 3-wire power receptacles	Grey	WP2
For use with 50A 4-wire power receptacles	Grey	WP3
For use with 50A single locking receptacles and FS/FD Boxes	Grey	7770
	Yellow	7788-CR
For use with 50A single locking receptacles and FS/FD Boxes	Grey	7420-CRG
For use with 20A and 30A FS/FD boxes and single locking receptacles	Yellow	7420-CR

WP2

### DIE-CAST ZINC WEATHER-RESISTANT COVERS

Description	Mounting	Cat. No.
Single Receptacle 1-Gang	Horizontal	4925-2
Decora/GFCI, 1-Gang	Vertical	4992
	Horizontal	4990
Decora/GFCI, 1-Gang for mounting on FS type box	Vertical	6196-FS
	Horizontal	6196-VFS
Duplex Receptacle, 1-Gang	Vertical	4926
Duplex Receptacle or Combination Device 1-Gang, Two Independent Lids	Horizontal	4970
Weatherproof Wallplate and Switch 15A 120V AC	Horizontal or Vertical	1432
Steel Enclosure without Switch for 30A Motor Starters	Vertical	N13NC
Lockout Wallplate (lock sold separately)	S/S	84001-LOK



#### Related Products

Leviton offers a complete selection of additional enclosures for motor starters.

**See page 624 in the Switches Section for more information.**

**TESTING AND CODE COMPLIANCE**

- UL Listed (File # E-13397)
- CSA Certified (File # LR-16347)
- IP 64 Suitability rating (protected against dust and splashing water)
- NEMA Type 3R enclosure rating

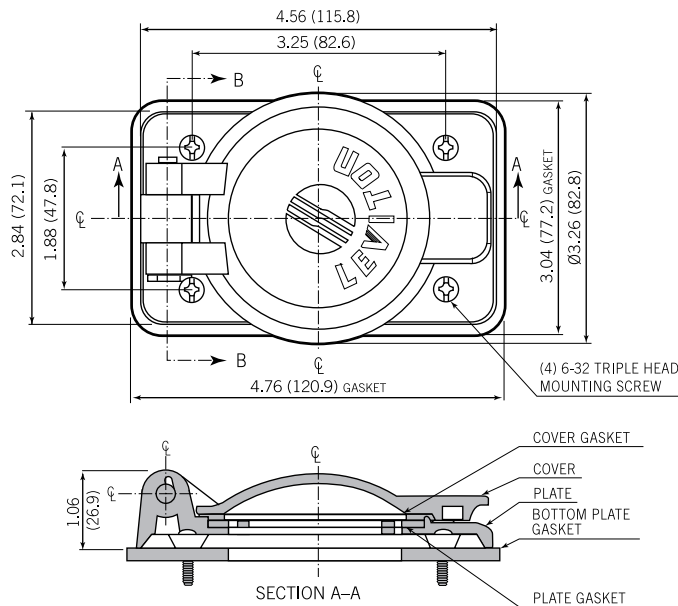
**MATERIAL CHARACTERISTICS**

Environmental: VO Flammability Rating per UL 94  
 Operating Temperature: -40°C to 75°C

## DIMENSIONS

**Water Resistant Cover**

WP1 and 7420-CR



**Water Resistant Cover**

WP2

