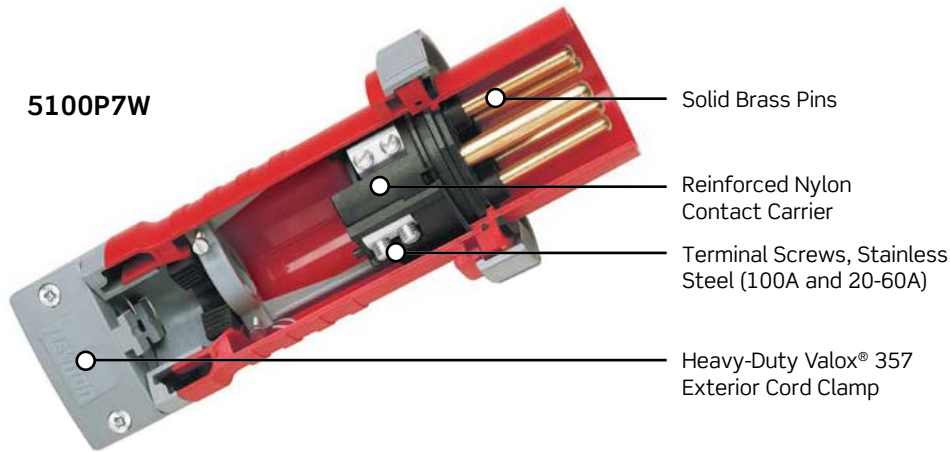


## NORTH AMERICAN RATED

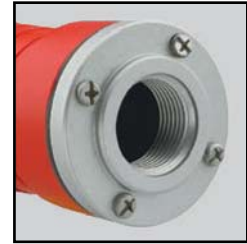
### North American Rated Devices

The Watertight Line. Superior Connection...Superior Protection

5100P7W

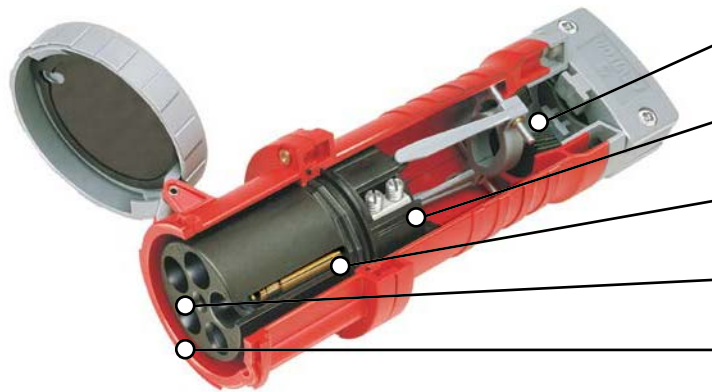


- Solid Brass Pins
- Reinforced Nylon Contact Carrier
- Terminal Screws, Stainless Steel (100A and 20-60A)
- Heavy-Duty Valox® 357 Exterior Cord Clamp

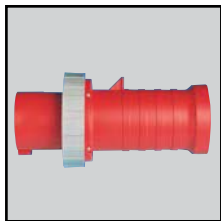


Accepts liquid-tight conduit with adapter accessory (**page G-15**)

5100C7W

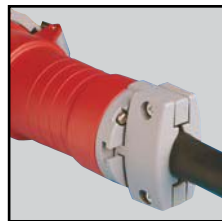


- Watertight Chloroprene Onion Skin Grommet
- Rear Terminals, Raised Lettering Identification
- Calibrated, Self-Adjusting Contacts
- Front Terminals, Raised Lettering Identification
- Super-Durable Valox® 357 Housing and external cord clamp



#### Super Tough Housing

- Provides maximum protection from abuse and environment
- Heavy-wall molding of Valox® 357 resists impact, heat, flame and chemicals
- Superior performance in low-to-high ambient temperature extremes (-40°C to 60°C)
- Excellent UV stability for superior outdoor performance (UL1682)
- V-0 flammability rating
- Fully insulated
- Color-coded by voltage for easy identification



#### External Cord Clamp

- Protects terminals from strain
- Accommodates a wide variety of cord sizes
- Excellent impact strength
- Excellent UV stability for superior outdoor performance (UL1682)
- V-0 flammability rating
- Accepts wire mesh strain relief



#### Internal Cord Clamp

- Secondary method for eliminating strain on terminals and conductors
- True IEC 60309-1 & 60309-2 acceptance
- Constructed of sturdy thermoplastic for tough environments
- Removes easily for user convenience



#### Spring Loaded Cover, Cover Arm, & Locking Rings

- Rings lock plug to connector
- Spring loaded cover closes automatically
- "Performance grade" Stainless Steel cover spring for superior corrosion-resistance and long life
- Excellent UV stability for outdoor use
- V-0 flammability rating
- Interior arm design in 60 and 100 amp helps eliminate breakage



#### Gasket/Grommet

- Prevents moisture, dust, and contaminants from entering housing or pin/contact carrier
- Solid chloroprene for positive seal and excellent chemical/corrosion-resistance
- Onion skin design on grommet provides precise watertight fit, eliminating the need to choose from multiple grommets that may not fit the cable jacket precisely

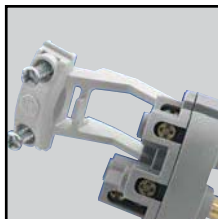
Valox® is a registered trademark of SABIC

**Features and Benefits**

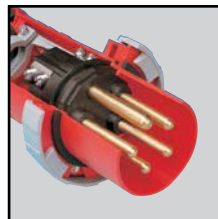
- Rugged housing, made of superior performance Valox® 357, provides maximum corrosion protection and makes the device more resistant to impact, abuse and temperature extremes. V-0 flame rated and superior UV stability
- Contact carrier resists arcing and internal heat build up; 60A and 100A contact/pin carriers are made of reinforced nylon for even greater strength and temperature resistance
- Zinc-coated steel terminal screws on 20A and 30A devices
- Brass terminal screws on 60A devices
- Dependable, clean brass construction for long life, reliable electrical contact, maximum conductivity, and corrosion resistance
- Watertight chloroprene onion skin grommet provides a precise, reliable seal at the cable entry point
- Ground, neutral and phase terminals are clearly identified by color coding or letters and numbering on both front and back sides
- Multiple contact points assure a continuously reliable electrical connection
- Engineered to IP67 watertight and IP69K high-pressure, high-temperature washdown standards
- North American Rated Devices 20A, 30A, 60A and 100A
- Meets North American IEC 60309-1 and 60309-2 Standards
- UL Rated for both 50Hz and 60Hz applications
- Rockwell Automation Encompass™ Product Partner
- Backed by a limited 2-year warranty


**Pin & Contact Carrier, 60 & 100 Amp**

- Protects pins and contacts, holding them firmly in place
- Pin carrier and contact carrier constructed of glass fiber reinforced nylon for maximum impact resistance and maximum protection of pins and contacts
- Superior arc-tracking resistance
- Excellent heat-resistance and flame resistance
- Chamfered wire entry makes wiring easier


**Pin & Contact Carrier, 20 & 30 Amp**

- Pin carrier and contact carrier constructed of nylon for maximum impact resistance and maximum protection of pins and contacts
- Terminal screws are aligned on a single plane for easier access
- Internal hinged cord clamp adds strain-relief and swings aside when wiring terminals
- Large diameter combination head terminal screws


**Pins**

- Designed for manageable insertion/withdrawal force
- Clean brass construction resists corrosion, provides superior contact and low electrical resistance
- Rounded tips reduce insertion force and decrease wear on the contact surface area


**Sleeves (Contacts)**

- Designed for manageable insertion/withdrawal force
- Clean brass construction resists corrosion, provides superior contact and low electrical resistance
- Self-adjusting, machine-calibrated contacts for accurate contact pressure designed for superior wiping and cleaning action
- Made from high performance Swedish Industrial Standard (SIS) Brass 5170-04
- Positioned at sleeve entrance, stainless steel spring enables pin cleaning at earliest point of entry


**Terminal Screws**

- Engineered to provide maximum holding power and lowest electrical resistance
- Accepts a wide range of conductors
- Double screws ensure secure connection
- Direct bearing pressure terminals for 20, 30 and 60 Amp ratings; pressure clamp termination for 100 Amp devices

## NORTH AMERICAN RATED | 20A and 30A Watertight

### 20A and 30A Watertight Pin & Sleeve Devices — North American Rated



Plug — 320P4W



Connector — 320C4W



Receptacle — 420R9W



Inlet — 420B9W



Back Box — BX230-V

#### Features and Benefits

- Engineered to IP67 watertight and IP69K high-pressure, high-temperature washdown standards
- Meet North American IEC 60309-1 and 60309-2 Standards
- Backed by a limited 2-year warranty

#### 20A and 30A Watertight Pin & Sleeve Devices

Amps	Wiring	Voltage AC	Color	Connector/ Receptacle	Plug/ Inlet	Cat. No. Plug	Cat. No. Connector	Cat. No. Receptacle	Cat. No. Inlet	Cat. No. Back Box
20	2p3w	125	Yellow			320P4W	320C4W	320R4W	320B4W	BX230-V
	2p3w	250	Blue			320P6W	320C6W	320R6W	320B6W	BX230-V
	2p3w	480	Red			320P7W	320C7W	320R7W	320B7W	BX230-V
	3p4w	125/250	Orange			420P12W	420C12W	420R12W	420B12W	BX230-V
	3p4w	3Ø250	Blue			420P9W	420C9W	420R9W	420B9W	BX230-V
	3p4w	3Ø480	Red			420P7W	420C7W	420R7W	420B7W	BX230-V
	3p4w	3Ø600	Black			420P5W	420C5W	420R5W	420B5W	BX230-V
	4p5w	3ØY120/208	Blue			520P9W	520C9W	520R9W	520B9W	BX230-V
	4p5w	3ØY277/480	Red			520P7W	520C7W	520R7W	520B7W	BX230-V
	4p5w	3ØY347/600	Black			520P5W	520C5W	520R5W	520B5W	BX230-V
30	2p3w	125	Yellow			330P4W	330C4W	330R4W	330B4W	BX230-V
	2p3w	250	Blue			330P6W	330C6W	330R6W	330B6W	BX230-V
	2p3w	480	Red			330P7W	330C7W	330R7W	330B7W	BX230-V
	3p4w	125/250	Orange			430P12W	430C12W	430R12W	430B12W	BX230-V
	3p4w	3Ø250	Blue			430P9W	430C9W	430R9W	430B9W	BX230-V
	3p4w	3Ø480	Red			430P7W	430C7W	430R7W	430B7W	BX230-V
	3p4w	3Ø600	Black			430P5W	430C5W	430R5W	430B5W	BX230-V
	4p5w	3ØY120/208	Blue			530P9W	530C9W	530R9W	530B9W	BX230-V
	4p5w	3ØY277/480	Red			530P7W	530C7W	530R7W	530B7W	BX230-V
	4p5w	3ØY347/600	Black			530P5W	530C5W	530R5W	530B5W	BX230-V

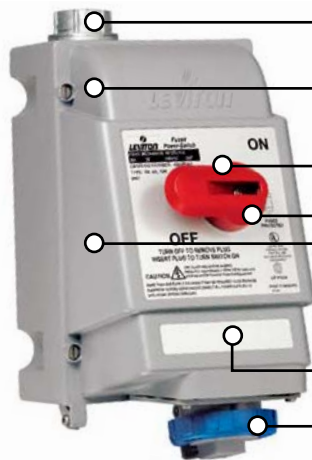
## Powerswitch® Mechanical Interlocks — North American Rated

Powerswitch® Mechanical Interlock devices incorporate a safety disconnect switch and IEC receptacle in a non-metallic watertight enclosure. The interlock mechanism prevents making and breaking of power under load. The switch cannot be actuated to the ON position until an IEC compatible plug is fully inserted and the plug cannot be removed until the switch is in the OFF position. The complete IEC 60309-1 and 60309-2 system of plugs, connectors, inlets and mechanical interlock devices can be used for both retrofit and new installations for enhanced safety and performance in critical power connections.

### Features and Benefits

- 20A, 30A, 60A non-fused and fused
- 100A non-fused and breakered
- Fused models accept “Class J” time-delay fuses
- Engineered to IP67 watertight and IP69K high-pressure, high-temperature washdown standards
- Backed by a limited 2-year warranty

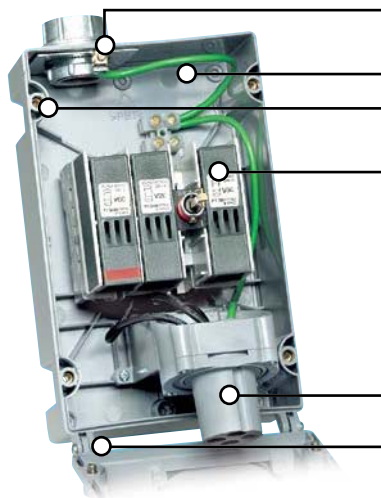
### 420MF9W



- Liquid-tight conduit fitting can be installed for top or bottom feed. Conduit hub sold separately
- Stainless steel screws are captive and will not fall out when cover is opened
- Red “pistol grip” handle provides visual confirmation of switch’s status
- Integrated lockout handle meets OSHA safety regulations
- Impact, UV and chemical-resistant Valox® enclosure rated to UL and IEC watertight standards
  - Type 3R, 4X & 12K
  - IP67 & IP69K
- Circuit identification pad for identifying specific equipment loads
- Color-coded receptacle cover indicates voltage rating of device and seals against water and other contaminants when not in use

Valox® is a registered trademark of SABIC

### 420MF9W



- Pre-wired grounding plate connects to metal conduit grounding system
- Generous wiring space for drip loop or top to bottom wiring
- Brass threaded inserts will not strip, provide higher torque, and form tighter seal between back box and cover
- Disconnect switch with integrated fuse holder offers proven performance in a compact package
  - Fused cartridges accept “Class J” fuses (not included)
  - One factory installed auxiliary contact (normally opened – 10 Amp). Additional auxiliary contact available
  - Easily accessible neutral and ground terminal blocks
- Pre-wired IEC receptacle accepts all manufacturer’s IEC 60309-2 plugs
- Rugged hinge mechanism pivots 180° for easy access during installation and maintenance

## MECHANICAL INTERLOCKS

### North American Watertight Breakered Mechanical Interlocks – 20A, 30A, 60A and 100A

#### Features and Benefits

- Enclosures are rated Type 3R, 4X & 12K, IP67 & IP69K
- Listed to UL 231 and 1686
- Certified to CSA Standard C22.2 number 182.1 and 14
- Classified to IEC Standards 60309-1 and 60309-2
- CE marking per low-voltage directives 73/23/EEC and 93/68/EEC
- Switches are listed to UL 60947-4-1 for non-fused and UL 98 for fused models (including 100A non-fused) and breakered models

#### 4100MB9W

Stainless steel screws are captive and will not fall out when cover is opened

Red “pistol grip” handle provides visual confirmation of switch’s status: ON, OFF, TRIPPED

Integrated lockout handle meets OSHA safety regulations

Circuit identification pad for means of identifying specific equipment loads

Color-coded receptacle cover indicates voltage rating of device and seals against water and other contaminants when receptacle is not in use

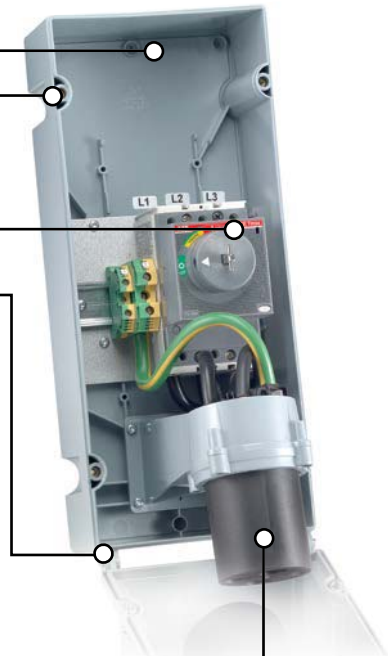
Generous wiring space for drip loop or top to bottom wiring

Brass threaded inserts resist stripping, provide higher torque, and form tighter seal between back box and cover

Circuit breaker integrated into switch provides overload protection

Rugged hinge mechanism pivots 180° for easy access during installation and maintenance

Liquid-tight conduit fitting can be installed for top or bottom feed. Four mounting feet and grounding plate included



Pre-wired IEC receptacle accepts all manufacturers’ IEC 60309-2 plugs



**MECHANICAL INTERLOCKS | 20A and 30A**
**North American Watertight Mechanical Interlocks — Fused and Non-Fused**

20A and 30A — Type 3R, 4X & 12K, IP67 & IP69K										
Amp	Wiring	Voltage AC	Color	Receptacle Config.	Plug Config.	Cat. No. Non-Fused Mech. Interlock	HP Rating	Cat. No. Fused Mech. Interlock	HP Rating	Cat. No. Use Plug
<b>20</b>	2p3w	240	Blue			320MI6W	3	—	—	320P6W
	2p3w	480	Red			320MI7W	5	—	—	320P7W
	3p4w	125/250	Orange			420MI12W	*	420MF12W	*	420P12W
	3p4w	3Ø240	Blue			420MI9W	10	420MF9W	5	420P9W
	3p4w	3Ø480	Red			420MI7W	20	420MF7W	10	420P7W
	3p4w	3Ø600	Black			420MI5W	25	420MF5W	15	420P5W
	4p5w	3ØY120/208	Blue			520MI9W	10	—	—	520P9W
	4p5w	3ØY277/480	Red			520MI7W	20	—	—	520P7W
	4p5w	3ØY347/600	Black			520MI5W	25	—	—	520P5W
<b>30</b>	2p3w	240	Blue			330MI6W	5	—	—	330P6W
	2p3w	480	Red			330MI7W	10	—	—	330P7W
	3p4w	125/250	Orange			430MI12W	*	430MF12W	*	430P12W
	3p4w	3Ø240	Blue			430MI9W	10	430MF9W	7.5	430P9W
	3p4w	3Ø480	Red			430MI7W	20	430MF7W	15	430P7W
	3p4w	3Ø600	Black			430MI5W	25	430MF5W	20	430P5W
	4p5w	3ØY120/208	Blue			530MI9W	10	—	—	530P9W
	4p5w	3ØY277/480	Red			530MI7W	20	530MF7W	15	530P7W
	4p5w	3ØY347/600	Black			530MI5W	25	530MF5W	20	530P5W

\*Consult factory for your specific application

Continued on next page



420MF9W



560MI7W



5100MI9W