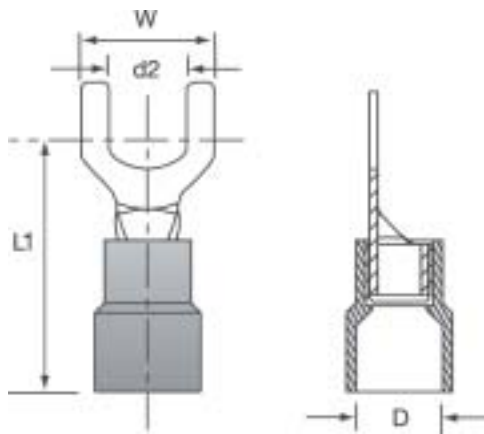


Nylon Insulated Fork Terminals DIN 46237



Technical Information

Material	Copper
Plating	Tin plated
Marking	Wire size and bolt size stamped on the tongue
Metal barrel	Brazed seam to prevent barrel separation
Insulation	PA = Polyamide Ideal for harsh environments, provides excellent chemical, impact and abrasion resistance
Temperature resistance	+85°C / +105°C
Color coding of the insulation	According to the wire size
Cable insertion	Easy entry

Ordering Information

Cat. No.	Wire Size Range (mm ²)	Color	Stud Hole Size d2	Dimensions			Wt. (g/100)	Qty. (pieces)	Crimping Tool
				W (mm)	L1 (mm)	D (mm)			
TRA3F	0.5 - 1.5	Red	M3	5.7	22.0	4.0	65	100	ERG2001A WT2124Y
TRA35F	0.5 - 1.5	Red	M3.5	6.2	22.0	4.0	62	100	
TRA4F	0.5 - 1.5	Red	M4	7.2	22.0	4.0	70	100	
TRA5F	0.5 - 1.5	Red	M5	8.0	22.0	4.0	92	100	
TRA6F	0.5 - 1.5	Red	M6	10.8	23.0	4.0	102	100	
TRB3F	1.5 - 2.5	Blue	M3	5.7	22.2	4.5	81	100	
TRB35F	1.5 - 2.5	Blue	M3.5	6.2	22.2	4.5	74	100	
TRB4F	1.5 - 2.5	Blue	M4	7.2	22.2	4.5	80	100	
TRB5F	1.5 - 2.5	Blue	M5	8.0	22.2	4.5	110	100	
TRB6F	1.5 - 2.5	Blue	M6	10.8	23.5	4.5	122	100	
TRC4F	4.0 - 6.0	Yellow	M4	8.2	26.7	6.4	163	100	
TRC5F	4.0 - 6.0	Yellow	M5	9.0	26.7	6.4	182	100	
TRC6F	4.0 - 6.0	Yellow	M6	12.0	30.3	6.4	190	100	