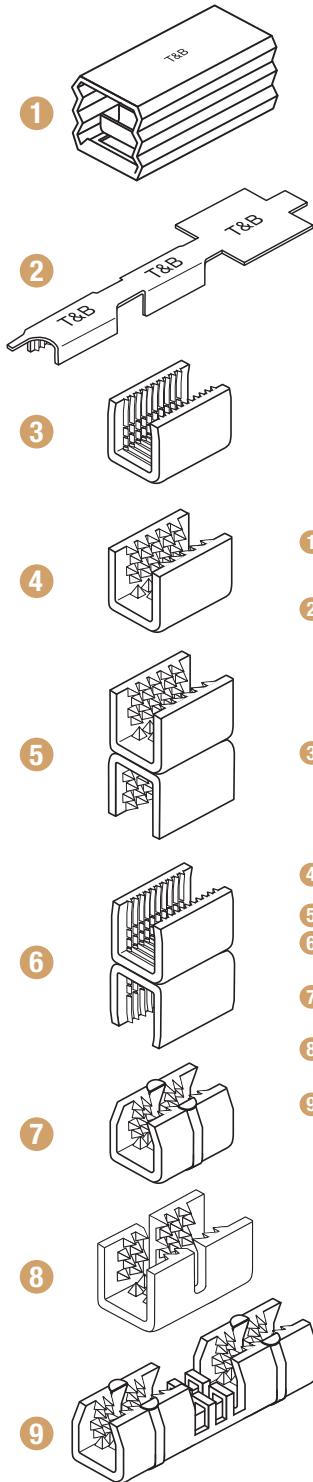


Dragon Tooth®

Insulating Piercing Connectors

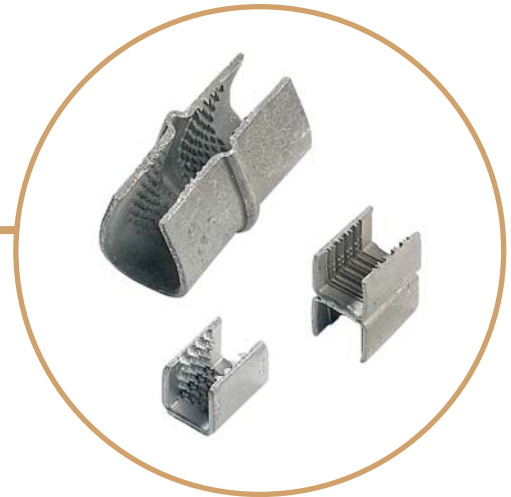
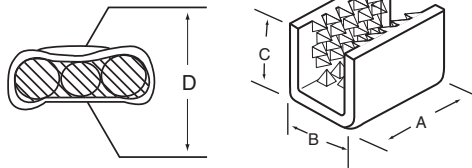
Splices for copper and aluminum magnet wire!

Dragon Tooth® Insulation Piercing Connectors



Splices

- Penetrate all standard copper and aluminum magnet wire insulations
- Perfect for heavy Formvar, poly-thermaleze, polyester, and polyurethane insulations



For special insulations, consult Technical Services.

CAT NO.	DIMENSIONS (IN.)				CIRCULAR MIL AREA	ROUND WIRE RANGE (AWG)		RECTANGULAR WIRE RANGE (IN.)		PKG. QTY.
	A	B	C	D*		MIN.	MAX.	THICKNESS	WIDTH	
1 214420	.43	.25	.22	.135	—	21 (4) - 13 (2)	—	—	1000	
220004	.17	.11	.08	.03	468 - 1,724	32 - 24**	—	—	†8400†	
220001	.34	.17	.14	.09	1,277 - 4,205	26 - 17**	.02 - .04	.02 - .09	†3000†	
2 220002-TB	.34	.25	.18	.09	2,985 - 6,687	24 - 14**	.02 - .05	.02 - .10	†3000†	
220006	.47	.25	.19	.09	5,162 - 12,330	16 - 12	.05 - .08	.05 - .16	†2500†	
22L004	.15	.11	.09	.03	128 - 2,028	32 - 24**	—	—	1000	
22L001	.32	.16	.16	.10	808 - 5,162	26 - 17**	.02 - .04	.02 - .10	1000	
22L002	.32	.25	.19	.10	2,048 - 9,110	24 - 15**	.02 - .05	.02 - .11	1000	
3 22L006	.44	.25	.22	.13	2,580 - 12,330	16 - 12	.05 - .08	.05 - .16	1000	
22L008	.70	.50	.35	.13	12,960 - 30,550	18 - 14	.04 - .06	.06 - .38	100	
22L009	.70	.55	.46	.20	36,120 - 86,000	16 - 5	.08 - .18	.08 - .38	100	
22L010	.70	.78	.71	.22	69,750 - 173,090 (f)	—	.10 - 23 (G), .10 - 18 (A)	.30 - .63	—	
4 210214S	.63	.38	.37	.17	4,110 - 20,760	14(a) - 10	.08 - .09	.08 - .18	250	
204210S	.69	.53	.53	.25	10,380 - 52,480	12(b) - 4(e)	.10 - .16	.10 - .26	100	
5 204210SH	.69	.53	1.05	.48	20,760 - 104,960	12(c) - 2(d)	.10 - .16	.10 - .26	100	
6 22L009H	.70	.55	.93	.37	72,000 - 132,000	16 - 5	.08 - .18	.08 - .38	100	
220015	1.50	.88	.77	(e)	50,000 - 115,000	10 - 6	.100 - .175	.300 - .625	50	
7 220019	1.50	.88	.85	(e)	110,000 - 175,000	6 - 2	.175 - .250	.300 - .625	25	
220023	1.75	.88	.93	(e)	165,000 - 230,000	2 - 1/0	.250 - .325	.300 - .625	25	
8 314118S	.63	.38	.30	.14	3,260 - 12,330	15 - 13	.05 - .06	.05 - .18	250	
220016	3.13	.88	.77	(e)	50,000 - 115,000	10 - 6	.100 - .175	.300 - .625	25	
9 220020	3.13	.88	.85	(e)	110,000 - 175,000	6 - 2	.175 - .250	.300 - .625	25	
220024	3.63	.88	.93	(e)	165,000 - 230,000	2 - 1/0	.250 - .325	.300 - .625	25	

*Reference dimension. See installing die illustration for gauging.

** Not recommended for aluminum magnet wire finer than 21 gauge. (a) Four wires max. (b) Six wires max. (c) Six wires max. each barrel (d) Conductors heavier than 6 AWG require special dies. Contact Thomas & Betts for assistance.

(e) Crimping dies may not bottom. Connector height will depend on number and size of wires in barrel. Pump must deliver 9800 psi minimum. (f) Copper CMA, aluminum CMA=52,136-124,561.

† On a reel

(a) This space may be used for terminal tongue insert, stripped stranded copper wire, stripped copper magnet wire, or left empty.

NOTE: Wire sizes and combinations shown have been tested to and meet or exceed Thomas & Betts specifications. Connectors may be suitable for other wire sizes or combinations. Thomas & Betts sells these connectors with the understanding that the user will perform necessary tests to determine their suitability for the intended purpose.