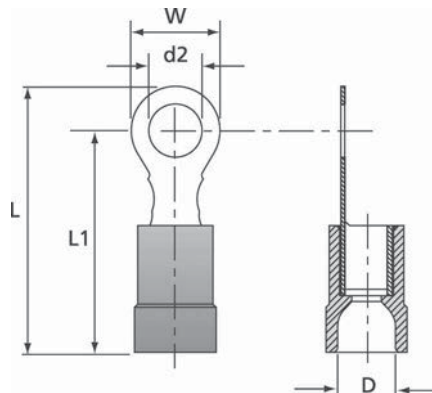


Polycarbonate Insulated Ring Terminals



Technical Information

Material	Electrolytic copper
Plating	Tin-plated
Marking	Wire size and bolt size stamped on the tongue
Metal barrel	Brazed seam to prevent barrel separation
Insulation	PC = Polycarbonate
Temperature resistance	+115°C / +125°C
Colour coding of the insulation	According to the wire size
Cable insertion	Easy entry

Ordering Information

Cat. No.	Wire Size Range (mm ²)	Colour	Stud Hole Size d2	Dimensions				Wt. (g/100)	Qty. (pieces)	Crimping Tool			
				W (mm)	L (mm)	D (mm)	L1 (mm)						
RZ3	0.25 - 0.75	Green	M3	5.5	18.0	3.2	15.0	36	100	ERG2510			
RZ4	0.25 - 0.75		M4	7.5	21.0	3.2	17.5	45					
RZ5	0.25 - 0.75		M5	9.0	22.0	3.2	17.5	51					
RA3RR	0.5 - 1.5	Red	M3	5.5	19.0	4.0	16.0	60		100	ERG2001A WT2124Y		
RA4RR	0.5 - 1.5		M4	7.0	20.5	4.0	17.0	71					
RA5RR	0.5 - 1.5		M5	9.0	22.5	4.0	18.0	79					
RA6RR	0.5 - 1.5	M6	11.0	26.5	4.0	21.0	96						
RB3	1.5 - 2.5	Blue	M3	5.5	19.0	4.5	16.0	75				100	ERG2001A WT2124Y
RB4-EU	1.5 - 2.5		M4	7.0	20.5	4.5	17.0	92					
RB5	1.5 - 2.5		M5	9.0	22.5	4.5	18.0	96					
RB6	1.5 - 2.5	M6	11.0	26.5	4.5	21.0	117						
RB8	1.5 - 2.5	M8	14.0	27.5	4.5	21.0	141						
RC4	4.0 - 6.0	Yellow	M4	8.0	24.0	6.4	20.5	158	100				
RC5	4.0 - 6.0		M5	9.0	25.0	6.4	20.5	166					
RC6-EU	4.0 - 6.0		M6	11.0	28.5	6.4	23.0	179					
RC8	4.0 - 6.0	M8	14.0	31.0	6.4	24.0	220						
RC10E	4.0 - 6.0	M10	17.0	34.0	6.4	25.5	245						