

Interlocking Insulating Covers for Compression Taps

H-Tap Insulating Covers (Hard Covers)

- For use in splice boxes, indoors or in tray indoors
- Easy to use — simply place H-Tap in cover and snap cover closed
- Consult factory for available flame-retardant version
- Hard shell outer covers guard against impact, inner seal keeps out dust
- Installs quickly and easily without special tools — simply snap together
- Eliminates time-consuming taping
- Provides high-quality, neat, uniform installations
- Range-taking design reduces inventory



CAT. NO.	DIMENSIONS (IN.)		
	A (LENGTH)	B (THICK)	C (WIDTH)
HTC2S	2	1 1/8	1 1/16
HTC2	3 1/2	1 1/8	1 1/16
HTC40	4 1/4	1 1/16	2
HTC40L2	5 3/4	1 1/16	2
HTC500	6	1 3/4	2 3/4
HTC1000	7	2 3/8	3 3/8
HTC1000L	10	2 3/8	3 3/8

Interlocking insulating covers for "H" type compression taps. For use in splice boxes, indoors or in tray indoors. Place the H-Tap in the cover. Snap the cover closed. Consult factory for flame-retardant version.

Technical Data: HTC2 and HTC2S use insulation wrap instead of end cushions for inner seal. Connector Cat. Nos. 54755 through 54790 and 63148 through 63180 require hydraulic crimping tools. Refer to instruction sheets. Outer Hard Shell Covers — High-impact black thermoplastic (Noryl), Flammability class UL 94V-1 Inner Seal — Black neoprene sponge soft closed cell, oxygen index 28% UL 94 HBF

Temperature Rating — 90° C maximum

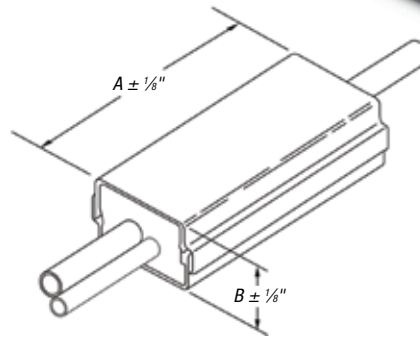
Voltage Rating — 600V maximum

Uses insulation wrap instead of end cushions for inner seal.

Note: Insulation covers are not reusable.

For H-Tap Applications

CAT. NO.	AL H-TAP	CU H-TAP
HTC2	63105	—
HTC2S	—	CHT814-10
HTC40	63110	CHT214-9
	63118	CHT250214-8
	63125	CHT2514-7
	63140	CHT2502-6
HTC500	63148	CHT50010-5/CHT50040-4
	63160	CHT75010-3/CHT750350-2
HTC1000L	63170	—
HTC1000	63180/63169	CHT750350-1F



These insulating covers provide hard-shell insulated protection for "H" type compression taps and splices, and because there is no taping required, you get uniform quality and appearance each time. The exclusive locking design provides the range-taking capability. Only five H-tap insulating catalog cover numbers accommodate the range of #6 AWG–1000 kcmil in the main, and #12 AWG–500 kcmil in the branch.

For C-Tap Applications

CAT. NO.	C-TAP	COLOR CODE
HTC40	54720	BROWN
	54725	GREEN
	54730	PINK
	54755	BLUE
	54760	BROWN
HTC40L2	54735	BLACK
	54740	ORANGE
	54745	PURPLE
	54750	YELLOW
	54765	PINK
HTC500	54770	BLACK
	54775	YELLOW
	54780	WHITE
	54785	N/A
	54790	N/A