

## PTPLUS

.....

### PTPLUS Wire Marker Holder For PF Labels



- Improved holder similar to PA profile with oval shaped pocket for marker labels and tags
- The marker pocket's resilient design protects and fastens marker tag
- Fast and easy assembly of marker by applying pressure once on marker pocket
- The flexible bellows design of the holder allows rapid and adaptable mounting on wires and cables

## Specifications

### Design

PTPLUS is a closed marker holder of improved bellows design with a pocket to hold marker tags of types PF, PFC or PP. The new bellows design with grooves decreases the friction up to 50% when the sleeve is pushed on the wire. The holder is transparent and is mounted directly on the cable or wire before assembly. The marker tag can be affixed before or after assembly. The holder does not require much space, PTPLUS02 and PTPLUS10 fit wires to 5 mm terminal block widths.

### Material

Cadmium and silicon free soft PVC according to Partex formula.

### Colours

Transparent.

### Temperature Range

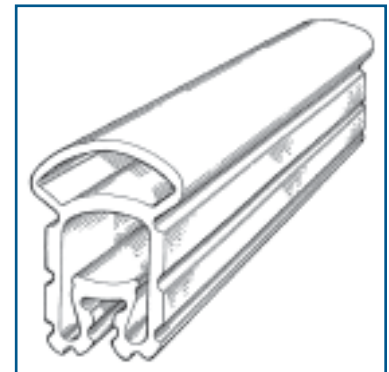
Shape permanence from -30°C to + 60°C  
(-22°F to + 140°F)

N.B.: Only the sleeve.

### Resistance

The product is tested by the Swedish Test and Research institute according to the Partex Product Test Program and has the following test properties:

- Flammability resistance: UL94-V0
- Resistance to UV radiation: corresponds to 1 year outdoors in the south of Sweden
- Chemical resistance: meets Partex Product Test Program criteria (except for battery acid)
- Thermal and aging resistance: meets Partex Product Test Program standards



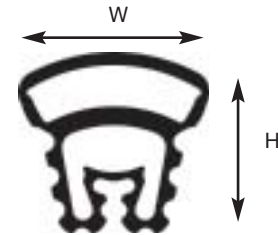
## PTPLUS

### Application



### Dimensions in mm (nominal)

Product Type	AWG	Length	Width	Height
PTPLUS02	22-16	12/15/18/21/30	5	5
PTPLUS10	16-11			7
PTPLUS20	13-5		6	10
PTPLUS30	5-		10	19
PTPLUS40	0	15/21/30	N/A	N/A



### Size and Packaging

Cat. No.	Diameter mm	Intended for Marker size (in.)	Area mm <sup>2</sup>	AWG	Qty. Pack	Suitable PF Labels	Suitable PFC Tags	Suitable PP Profile
PTPLUS02012A	~1.3 – 3.0	0.051 – 0.118	~0.25 – 1.5	~ 22 – 16	200 PCS	-	PFC04212	PP-04600SN
PTPLUS10012A	~2.5 – 5.0	0.098 – 0.196	~1.5 – 4.0	~ 16 – 11				
PTPLUS20012A	~4.0 – 10.0	0.157 – 0.393	~2.5 – 15.0	~ 13 – 5	100 PCS			
PTPLUS30012A	~8.0 – 16.0	0.314 – 0.629	~16.0 – 70.0	~ 5 – 3/0	50 PCS			
PTPLUS02015A	~1.3 – 3.0	0.051 – 0.118	~0.25 – 1.5	~ 22 – 16	200 PCS	PF-10015	PFC04215	
PTPLUS10015A	~2.5 – 5.0	0.098 – 0.196	~1.5 – 4.0	~ 16 – 11				
PTPLUS20015A	~4.0 – 10.0	0.157 – 0.393	~2.5 – 15.0	~ 13 – 5	100 PCS			
PTPLUS30015A	~8.0 – 16.0	0.314 – 0.629	~16.0 – 70.0	~ 5 – 3/0	50 PCS			
PTPLUS40015A	~16.0 – 22.0	-	~ 50.0 – 150.0	~ 0	50 PCS			
PTPLUS02018A	~1.3 – 3.0	0.051 – 0.118	~0.25 – 1.5	~ 22 – 16	200 PCS	-	PFC04218	
PTPLUS10018A	~2.5 – 5.0	0.098 – 0.196	~1.5 – 4.0	~ 16 – 11				
PTPLUS20018A	~4.0 – 10.0	0.157 – 0.393	~2.5 – 15.0	~ 13 – 5	100 PCS			
PTPLUS30018A	~8.0 – 16.0	0.314 – 0.629	~16.0 – 70.0	~ 5 – 3/0	50 PCS			
PTPLUS02021A	~1.3 – 3.0	0.051 – 0.118	~0.25 – 1.5	~ 22 – 16	200 PCS	PF-10021	PFC04221	
PTPLUS10021A	~2.5 – 5.0	0.098 – 0.196	~1.5 – 4.0	~ 16 – 11				
PTPLUS20021A	~4.0 – 10.0	0.157 – 0.393	~2.5 – 15.0	~ 13 – 5	100 PCS			
PTPLUS30021A	~8.0 – 16.0	0.314 – 0.629	~16.0 – 70.0	~ 5 – 3/0	50 PCS			
PTPLUS40021A	~16.0 – 22.0	-	~ 50.0 – 150.0	~ 0	50 PCS			
PTPLUS02030A	~1.3 – 3.0	0.051 – 0.118	~0.25 – 1.5	~ 22 – 16	200 PCS	-	PFC04230	
PTPLUS10030A	~2.5 – 5.0	0.098 – 0.196	~1.5 – 4.0	~ 16 – 11				
PTPLUS20030A	~4.0 – 10.0	0.157 – 0.393	~2.5 – 15.0	~ 13 – 5	100 PCS			
PTPLUS30030A	~8.0 – 16.0	0.314 – 0.629	~16.0 – 70.0	~ 5 – 3/0	50 PCS			
PTPLUS40030A	~16.0 – 22.0	0.629 – 0.866	~ 50.0 – 150.0	~ 0	50 PCS			

### System Solutions for Do-it-yourself Marking on Site

Print on	Recommended Printer	Partex Software
PF MARKING LABELS	Epson LQ870 matrix printer/HP laser printer	WSG-NG-EXCL
PFC MARKING CARDS	Thermal transfer printer X-Card MTX-MK3	WSG-NG-INCL
PP PROFILE	ProMark MTX-MK9 marking machine	WSG-NG-INCL