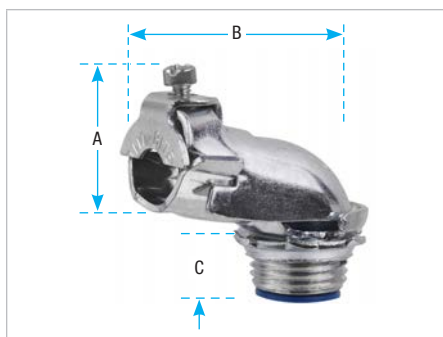


Armoured Cable and Flexible Metal Conduit Fittings



Steel or malleable iron.

Available with or without insulated throat, this Tite-Bite® fitting line is by far the easiest and best to install when making sharp bends at the enclosure or equipment. It has all of the advantages of the straight fitting with only one screw to tighten, except in the larger sizes where there are two. A peep hole on top provides for easy inspection of the ABC bushing. Narrow design makes it easy to install fittings in adjacent knockouts.

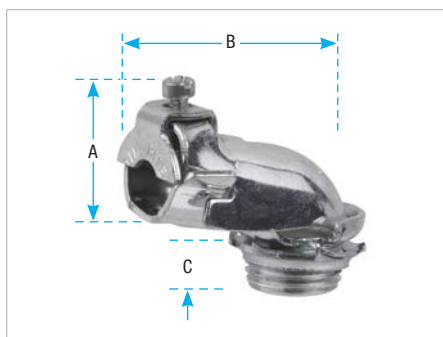


Tite-Bite® Fittings — 90° Angle Nylon Insulated

Cat. No.	Cable Opening (in.)		Trade Size (in.)	K.O. Size (in.)	Dimensions (in.)		
	max.	min.			A	B	C
3130-C	0.563	0.437	3/8	1/2	1-11/32	1-19/32	5/32
3132	0.937	0.750	1/2	1/2	1-7/8	2-5/16	1-5/32
3135	1.093	0.906	3/4	3/4	2	2-1/8	1-5/32
3137	1.468	1.250	1	1	2-21/32	2-1/8	1/2
3138†	1.750	1.562	1-1/4	1-1/4	3-1/8	2-7/8	3/4
3139†	2.031	1.812	1-1/2	1-1/2	4-3/8	4	1-3/16
3140†	2.500	2.312	2	2	5-9/16	4-7/8	1
3141†	3.062	2.812	2-1/2	2-1/2	5-25/32	6	21
3142†	3.562	3.312	3	3	6	7	1
3143‡	4.060	3.620	3-1/2	3-1/2	6	6-7/8	1-1/16
3144-TB‡	4.560	4.120	4	4	6-29/32	7-1/4	1-1/8

† UL Listed for flexible metal conduit only

‡ Not UL Listed or CSA Certified



The angle clip gives secure mechanical grip that tightens under tension or vibration. Throat is long enough to install in cast housing knockouts. The 3/8 in. and 1/2 in. sizes are of steel construction. The 3/4 in. and larger sizes are malleable iron.



Tite-Bite® Fittings — 90° Angle

Cat. No.	Cable Opening (in.)		Trade Size (in.)	K.O. Size (in.)	Dimensions (in.)		
	max.	min.			A	B	C
321-C	0.656	0.437	3/8	1/2	1-11/32	1-1/2	3/8
323	0.937	0.750	1/2	1/2	1-7/8	2-3/8	1-7/32
325	1.093	0.906	3/4	3/4	2-1/8	2-1/8	3/4
326-TB	1.468	1.250	1	1	2-21/32	2-1/8	1
327-TB†	1.750	1.562	1-1/4	1-1/4	3-1/8	3-5/8	—
328†	2.031	1.812	1-1/2	1-1/2	4-1/8	4-1/8	—
329†	2.500	2.312	2	2	4-3/8	4-31/32	—
330-TB†	3.062	2.812	2-1/2	2-1/2	6-1/2	6	—
331†	3.562	3.312	3	3	5-25/32	7	—

† UL Listed for flexible metal conduit only