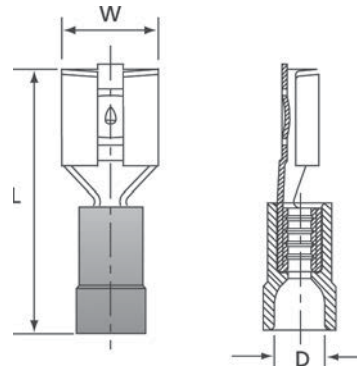


Insulated Female Disconnects DIN 46245

Technical Information

Material	Brass
Plating	Tin-plated
Metal barrel	Brazed seam to prevent barrel separation
Insulation	PC = Polycarbonate
Temperature resistance	+115°C / +125°C (for PVC insulation +65°C / +75°C)
Colour coding of the insulation	According to the wire size (DIN)
Cable insertion	Easy entry



Ordering Information									
Cat. No.	Wire Size Range (mm ²)	Male Tab Size (mm)	Colour	Dimensions			Wt. (g/100)	Qty. (pieces)	Crimping Tool
				L (mm)	D (mm)	W (mm)			
RA28	0.5 - 1.5	2.8 x 0.8	Red	18.5	3.3	3.5	60	100	ERG2001A WT2124Y
RA29	0.5 - 1.5	2.8 x 0.5		18.5	3.3	3.5	60		
RA48**	0.5 - 1.5	4.8 x 0.8		19.0	3.7	5.7	82		
RA49**	0.5 - 1.5	4.8 x 0.5		19.0	3.7	5.7	83		
RA63	0.5 - 1.5	6.3 x 0.8		20.0	4.0	7.6	96		
RB48**	1.5 - 2.5	4.8 x 0.5	Blue	19.0	4.4	5.7	91		
RB49**	1.5 - 2.5	4.8 x 0.8		19.0	4.4	5.7	87		
RB63	1.5 - 2.5	6.3 x 0.8		20.0	4.5	7.6	106		
RC63	4.0 - 6.0	6.3 x 0.8	Yellow	24.0	6.4	7.6	183		
RC95**	4.0 - 6.0	9.5 x 1.2		31.0	6.2	11.0	233		

**Non-brazed, with support sleeve and PVC insulation, not easy entry