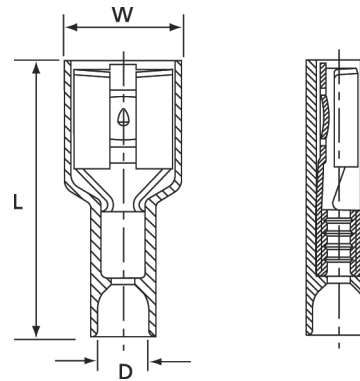


## Fully Insulated Female Disconnects DIN 46245

### Technical Information

<b>Material</b>	Brass
<b>Plating</b>	Tin-plated
<b>Metal barrel</b>	Non-brazed, with brass support sleeve
<b>Insulation</b>	PA = Polyamide Ideal for harsh environments, provides excellent chemical, impact and abrasion resistance
<b>Temperature resistance</b>	+85°C / +105°C
<b>Colour coding of the insulation</b>	According to the wire size (DIN)



### Ordering Information

Cat. No.	Wire Size Range (mm <sup>2</sup> )	Male Tab Size (mm)	Color	Dimensions			Wt. (g/100)	Qty. (pieces)	Crimping Tool
				W (mm)	L (mm)	D (mm)			
RA28V	0.5 - 1.5	2.8 x 0.8	Red	5.0	19.3	3.8	110	100	ERG2001A WT2124Y
RA29V	0.5 - 1.5	2.8 x 0.5		5.0	19.3	3.8	110		
RA48V	0.5 - 1.5	4.8 x 0.8		7.4	20.2	3.6	115		
RA49V	0.5 - 1.5	4.8 x 0.5		7.4	20.2	3.6	115		
RA63V**	0.5 - 1.5	6.3 x 0.8	8.8	21.0	4.0	123			
RB48V	1.5 - 2.5	4.8 x 0.8	Blue	7.1	19.5	3.9	120		
RB49V	1.5 - 2.5	4.8 x 0.5		7.1	19.5	3.9	120		
RB63V**	1.5 - 2.5	6.3 x 0.8		8.8	21.0	4.5	132		
RC63V	4.0 - 6.0	6.3 x 0.8	Yellow	9.0	26.0	5.3	215		

\*\*Easy entry and brazed barrel, polycarbonate insulator