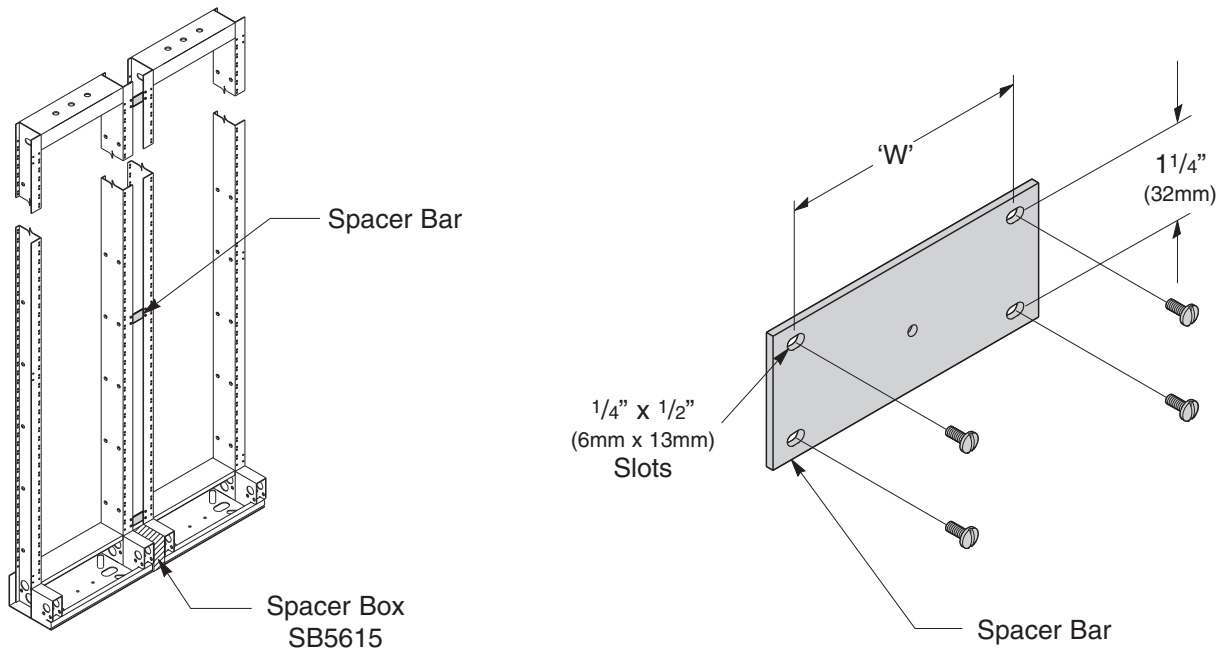


## ACCESSORIES

### Spacer Bar

- Use for creating wider cable duct between unequal flange equipment rack
- Includes: (3) spacer bars and hardware [96" (2438mm) or less]  
(4) spacer bars and hardware [Over 96" (2438mm)]
- #8-32 tapped center hole for mounting spacer cover (see SB5617)
- See SB5615 for spacer box
- Material: ASTM A1011CS steel
- Finish\_\_\_: Telco Gray Powder Coat (TG)  
Other finishes available



Part Number	Space Between Racks		'W'		Rack Height		Weight	
	In.	(mm)	In.	(mm)	In.	(mm)	Lbs.	(kg)
SB56162A__	2"	(51)	2 <sup>3</sup> / <sub>4</sub> "	(70)	96" or Less	(2438) or Less	0.6	(0.27)
SB56162 <sup>1</sup> / <sub>2</sub> A__	2 <sup>1</sup> / <sub>2</sub> "	(63)	3 <sup>1</sup> / <sub>4</sub> "	(82)			0.7	(0.32)
SB56163A__	3"	(76)	3 <sup>3</sup> / <sub>4</sub> "	(95)			0.8	(0.36)
SB56165A__	5"	(127)	5 <sup>3</sup> / <sub>4</sub> "	(146)			1.2	(0.54)
SB56167 <sup>1</sup> / <sub>2</sub> A__	7 <sup>1</sup> / <sub>2</sub> "	(190)	8 <sup>1</sup> / <sub>4</sub> "	(209)			1.6	(0.72)
SB56162B__	2"	(51)	2 <sup>3</sup> / <sub>4</sub> "	(70)	Over 96"	Over (2438)	0.8	(0.36)
SB56162 <sup>1</sup> / <sub>2</sub> B__	2 <sup>1</sup> / <sub>2</sub> "	(63)	3 <sup>1</sup> / <sub>4</sub> "	(82)			1.0	(0.45)
SB56163B__	3"	(76)	3 <sup>3</sup> / <sub>4</sub> "	(95)			1.0	(0.45)
SB56165B__	5"	(127)	5 <sup>3</sup> / <sub>4</sub> "	(146)			1.6	(0.72)
SB56167 <sup>1</sup> / <sub>2</sub> B__	7 <sup>1</sup> / <sub>2</sub> "	(190)	8 <sup>1</sup> / <sub>4</sub> "	(209)			2.1	(0.95)

# Equipment Racks & Accessories

Cooper B-Line is a leading manufacturer of high quality support systems for the data communications and telecommunications industries. No matter what your application for equipment racks and accessories, Cooper B-Line has the products and accessories available to meet your needs for support networking equipment and cabling in today's high performance networks.

Our line of network equipment racks includes two-post, four-post, fixed wall mounted, swing gate wall mounted, high-density cable management and seismic Zone 4 racks. All racks are designed to meet or exceed all applicable industry standards such as EIA/ECA-310-E. Our rack products are also designed to conform to any and all requirements of applicable TIA, EIA or IEEE standards that reference racks or other equipment support products and many Cooper B-Line rack products are UL listed as well.

Cooper B-Line also offers a full line of accessories for racks including grounding and bonding equipment, rack mounted shelves, power strips, cable management devices, anchors, raised floor supports and caster bases - just to name a few.

Look to Cooper B-Line for the best-in-class options for equipment racks and accessories. We take pride in designing and manufacturing top quality, full featured products that are a cut above other manufacturer's offerings. For example, our standard two post rack features an industry leading 1,200 lb. load rating as well as valuable features like permanent RMU markings and tapped assembly holes for quick assembly.

Are we missing a component you need? Contact us. Our engineering team will be glad to discuss your needs and provide a design for your specific application. Our goal is to be your preferred supplier for all your comm/data equipment support needs.

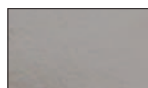
<b>Material:</b>	<b>Type</b>	<b>Thickness</b>	<b>Specifications</b>
	Steel Bar	..... 3/8" (9.5mm) - 7 Gauge (4.5mm)	..... ASTM A36
	Steel Strip	..... 10 Gauge (3.4mm) - 12 Gauge (2.6mm)	..... ASTM A569
	Aluminum	.....	..... 6061-T6

**Finishes:**

- Brushed Aluminum (AL)
- Powder Coat Paint
  - Telco Gray (TG)
  - Computer White (CW) (also known as Alcatel Gray)
  - Flat Black (FB)
  - Silver (SL)
- Chemical Conversion Coatings Available
  - Yellow Zinc (YZ) ..... ASTM B633
  - Black Zinc (BZ) ..... ASTM B633



(AL)  
Brushed  
Aluminum



(TG)  
Telco Gray



(CW)  
Computer  
White  
(Alcatel Gray)



(FB)  
Flat Black  
&  
(BZ)  
Black Zinc



(YZ)  
Yellow Zinc



(SL)  
Silver

**Standard Conformance:**

- EIA/ECA-310-E
- UL Listed Communication Circuit Accessory (file no. E171936).
- UL Listed Communication Circuit Accessory (file no. E235184).