

# Dura Clean™ Washdown Support System

Cooper B-Line's new line of Dura-Clean electrical and mechanical support products are specifically designed for the critical and rigorous wash-down requirements of the Food & Beverage and Pharmaceutical industries.

Manufactured from high quality stainless steel with all angles minimized to prevent water pooling and collection, Dura-Clean strut and hanger components are designed with the durability and flexibility needed for applications where pipe, conduit and enclosures are subjected to regular, high pressure, high moisture wash-down environments.

Dura-Clean products can be installed in trapeze configurations for hanging piping, conduit or virtually any type of roof supported racking system - or wall-mount configurations for vertical or horizontal pipe support runs and enclosure support.

The new Dura-Clean Washdown Support System products from Cooper B-Line.

Highest quality.  
Lasting durability.  
Immediate availability.

## Recommended Torque

Bolt Size	3/8"-16	1/2"-13
Foot/Lbs.	19	50
Nm	26	68

## Materials

Finish Code	Finish	Specification
SS4	Stainless Steel Type 304	ASTM A240
SS6	Stainless Steel Type 316	ASTM A240



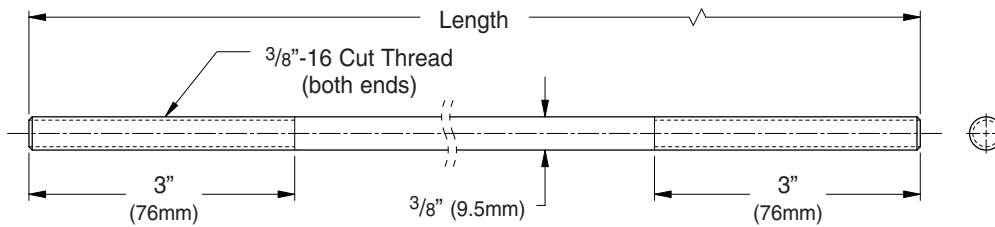
## Metric

Metric dimensions are shown in parentheses. Unless noted, all metric dimensions are in millimeters.

# Dura Clean™ Accessories

## THREADED ROD

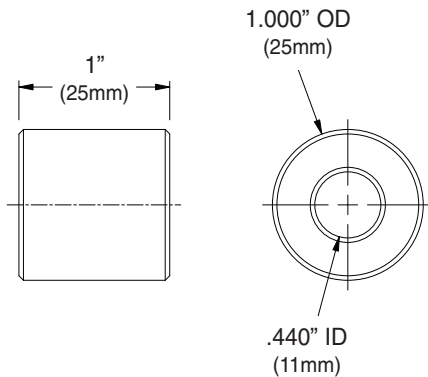
- Material: Steam cleaned 304 Stainless Steel
- Standard Lengths: 36" (.92m) & 72" (1.83m)  
(other length available upon request)
- 3/8"-16 cut threads standard
- Cut threads allow the customer to cut rods to length and then field cut threads where required



Channel	Length		Threads Per Inch	Recommended Load		Wt./100 pcs	
	in.	mm		lbs.	N	lbs.	kg
DCR38-36	36"	914	16	730	324	186.2	84.4
DCR38-72	72"	1829	16	730	324	372.4	168.9

## SPACERS

- Material: 304 Stainless Steel
- Spacers are used to provide 1" (25mm) of separation from wall to channel, eliminating any area that may harbor bacteria.
- Weight/C: 16.9 Lbs. (7.6kg)



Part Number	Description
DCSP SS4	Stand-off Spacer

Reference page 148 for general fitting and standard finish specifications.