

Pipe Hangers



Pipe hangers offered in this section are designed to support insulated or non-insulated pipe allowing for vertical adjustment and limited movement in the piping system.

Materials

Carbon Steel, Malleable Iron and AISI Type 304 & 316 Stainless Steel are used in the manufacturing of pipe hangers. Other materials are available.

Finishes

The standard finishes for mechanical supports are plain steel (oil coated) sometimes referred to as black, Electro-Galvanized Zinc (ASTM B633 SC3), Pre-Galvanized (ASTM A653 G90), Hot-Dip Galvanized After Fabrication (ASTM A123), Red Primer, Plastic Coating, DURA GREEN™, DURA-COPPER™ and other special coatings are available upon request.

Note: Due to the design of some products, (threads, connecting hardware, swivels, etc.) items may or may not be uniformly coated with special finishes i.e. Hot-Dip Galvanized, DURA GREEN, DURA-COPPER, PVC etc. In some cases, the hanger itself may be coated, however, the hardware may be supplied Electro-Plated, DURA-COPPER Painted or Stainless Steel. Consult customer service for availability.

Approvals (as noted)

Items in this section are Underwriters Laboratories Listed, Factory Mutual Approved, and comply with Federal Specification WW-H-171E & A-A-1192A or Manufacturers Standardization Society ANSI/MSS SP-69 & SP-58.

Seismic Restraints Catalog approved by the State of California Office of Statewide Health Planning and Development (OSHPD)

All dimensions in charts and on drawings are in inches. Dimensions shown in parentheses are in millimeters unless otherwise specified.

TOLCO™ Fig. 1CBS - Clevis Pipe Spacer

Size Range: Size 1" (25mm) thru 20" (500mm) clevis hanger

Material: Steel

Function: Used as a spacer at a seismic brace location to keep clevis hanger from collapsing during seismic event.

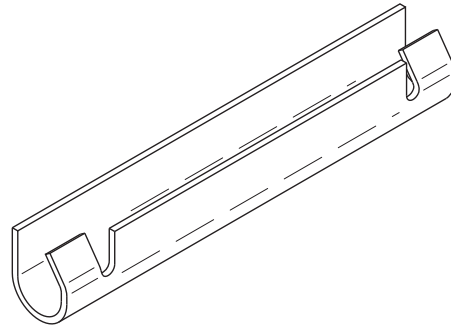
Approvals: Included in our Seismic Restraints Catalog approved by the State of California Office of Statewide Health Planning and Development (**OSHPD**). For additional load, spacing and placement information relating to OSHPD projects, please refer to the Seismic Restraint Systems Guidelines.

Installation Note: Fig. 1CBS fits easily over the cross bolt and attaches by pinching tabs down.

Finish: Pre-Galvanized. Contact customer service for alternative finishes and materials.

Order By: Part number and finish.

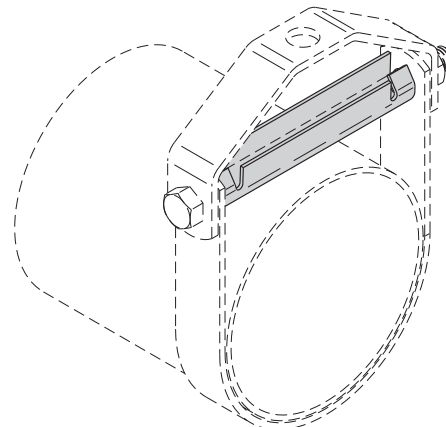
Component of State of California OSHPD Approved Seismic Restraints System



Sizes 1" (25) thru 1 1/2" (40)



Sizes 2" (50) thru 20" (500)



Part No.	Pipe Size		Approx. Wt./100	
	in.	(mm)	lbs.	(kg)
1CBS-1	1"	(25)	3.2	(1.4)
1CBS-1 1/4	1 1/4"	(32)	4.1	(1.8)
1CBS-1 1/2	1 1/2"	(40)	4.8	(2.2)
1CBS-2	2"	(50)	9.4	(4.2)
1CBS-2 1/2	2 1/2"	(65)	11.4	(5.2)
1CBS-3	3"	(75)	13.9	(6.8)
1CBS-3 1/2	3 1/2"	(90)	16.0	(7.2)
1CBS-4	4"	(100)	18.0	(8.1)
1CBS-5	5"	(125)	27.3	(12.4)
1CBS-6	6"	(150)	32.5	(14.7)
1CBS-8	8"	(200)	42.5	(19.2)
1CBS-10	10"	(250)	72.7	(32.9)
1CBS-12	12"	(300)	86.3	(39.1)
1CBS-14	14"	(350)	157.6	(71.5)
1CBS-16	16"	(400)	183.7	(83.3)
1CBS-18	18"	(450)	224.6	(101.9)
1CBS-20	20"	(500)	254.0	(115.2)

All dimensions in charts and on drawings are in inches. Dimensions shown in parentheses are in millimeters unless otherwise specified.