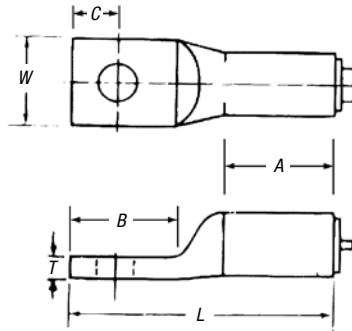


## Compression Connectors

Use with aluminum or copper conductor.

### Type ATL — Aluminum One-Hole Lugs

- Specifically designed for use with aluminum conductor (concentric, compressed or compact)
- Also listed for use with copper conductor
- Made of high-conductivity seamless aluminum tubing
- Tin plated for corrosion resistance
- Chamfered barrels for ease of installation
- Can be used for high-voltage application up to 35kV, provided high-voltage insulation techniques are used
- Color coded for quick, easy die identification
- Prefilled with oxide-inhibiting compound
- UL® Listed when installed with Blackburn®, Burndy®, T&B® or Anderson tools



CAT. NO.	CONDUCTOR SIZE (AL OR CU)	STUD SIZE	DIMENSIONS (IN.)						DIE COLOR CODE
			A	B	C	L	W	T	
ATL8-10		10	1/2	19/32	7/32	1 1/2	1 1/2	3/32	BLUE
ATL8-14	#8 Str. AWG	1/4	1/2	1 1/16	1 1/32	1 3/8	7/16	3/32	
ATL6-10		10	25/32	9/16	7/32	1 1/2	15/32	1/8	GRAY
ATL6-14	#6 Str. AWG	1/4	25/32	23/32	15/32	1 21/32	15/32	1/8	
ATL6-38		3/8	27/32	29/32	7/16	1 27/32	5/8	3/32	GREEN
ATL4-14		1/4	27/32	13/16	1 1/32	1 29/32	3/8	3/16	
ATL4-516	#4 Str. AWG	3/16	27/32	1	7/16	2 1/16	3/8	3/16	GREEN
ATL4-38		3/8	27/32	29/32	7/16	2	3/8	3/16	
ATL2-14		1/4	27/32	25/32	1 1/32	1 15/16	2 3/32	3/16	PINK
ATL2-516	#2 Str. AWG	5/16	27/32	7/8	7/16	2 11/32	3/4	3/16	
ATL2-38		3/8	27/32	29/32	7/16	2 1/16	2 3/32	3/16	GOLD
ATL1-516	#1 Str. AWG	5/16	27/32	7/8	7/16	2 1/2	2 3/32	3/16	
ATL1-38		3/8	27/32	29/32	7/16	2 3/8	3/4	3/16	TAN
ATL10-516		5/16	1 3/32	1	7/16	2 17/32	7/8	3/16	
ATL10-38	1/0 Str. AWG	3/8	1 3/32	1 1/16	7/16	2 9/32	7/8	3/16	OLIVE
ATL10-12		1/2	1 3/32	1 3/8	1 1/16	2 5/16	1 5/16	3/16	
ATL20-38	2/0 Str. AWG	3/8	1 3/16	1	7/16	2 5/8	3 1/32	7/32	RUBY
ATL20-12		1/2	1 3/16	1 3/8	1 1/16	3	1 1/2	7/32	
ATL30-38	3/0 Str. AWG	3/8	1 11/32	1 1/16	7/16	2 3/16	1 1/16	7/32	WHITE
ATL30-12		1/2	1 11/32	1 3/8	1 1/16	3 3/8	1 1/16	7/32	
ATL40-38	4/0 Str. AWG	3/8	1 7/8	1 3/32	3/8	3 3/4	1 3/16	1/4	RED
ATL40-12		1/2	1 7/8	1 1/4	1/2	3 3/8	1 3/16	1/4	
ATL250-12	250 kcmil	1/2	2 1/32	1 1/4	1/2	4 1/2	1 9/32	1/4	BLUE
ATL300-38	300 kcmil	3/8	2	1 5/16	3/8	4 3/16	1 3/8	9/32	
ATL300-12		1/2	2	1 5/16	1/2	4 3/16	1 3/8	9/32	BROWN
ATL350-12	350 kcmil	1/2	2 11/16	1 5/16	1/2	4 7/8	1 1/2	5/16	
ATL400-58	400 kcmil	5/8	2 11/16	1 1/4	1/2	4 5/16	1 5/8	3/8	GREEN
ATL500-12	500 kcmil	1/2	2 11/16	1 1/4	1/2	4 5/16	1 25/32	3/8	
ATL500-58		5/8	2 11/16	2	3/4	5 11/16	1 25/32	3/8	PINK
ATL600-12	600 kcmil	1/2	2 11/16	2	3/4	5 13/16	1 29/32	11/32	
ATL750-12	750 kcmil	1/2	2 7/8	1 1/4	1/2	5 1/4	2 1/8	3/8	BLACK
ATL750-58		5/8	2 7/8	2	3/4	6 1/2	2 1/8	3/8	
									N/A