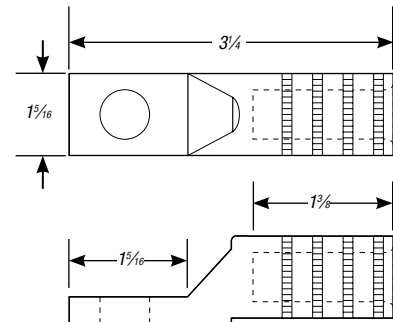


Aluminum Lugs

Just one die installs the entire conductor range for meter pan and general applications.

Aluminum Meter Socket Lugs — 840 Common Die Series

- All installation done with one die to reduce your die inventory
- Made from aluminum for high strength and high conductivity
- Dual-rated for use with aluminum and copper conductors
- Connector bores coated with oxide inhibitor to prevent oxidation
- All lugs marked with conductor sizes and die references for easy identification
- Lugs meet or exceed ANSI C119.4 specifications



½ BOLT CAT. NO.	¾ BOLT CAT. NO.	CONDUCTORS — AL OR CU				INSTALLING DIES
		CONCENTRIC	COMPRESSED	COMPACT	SOLID	
SAKM 6-48	SAKM 6-38	#6	#6	#6	—	840, 845, TX,76,249,11A
SAKM 4-48	SAKM 4-38	#4	#4	#4	—	
SAKM 2-48	SAKM 2-38	#2	#2	#2 & #1	#1	
SAKM1-48	SAKM 1-38	#1	#1	1/0	1/0	
SAKM 1/0-48	SAKM 1/0-38	1/0	1/0	2/0	2/0	
SAKM 2/0-48	SAKM 2/0-38	2/0	2/0	3/0	3/0	
SAKM 3/0-48	SAKM 3/0-38	3/0	3/0	4/0	—	
SAKM 4/0-48	SAKM 4/0-38	4/0	4/0	250	—	
SAKM 250-48*	SAKM 250-38*	250	250	300	—	
SAKM 300-48*	SAKM 300-38*	300	300	350	—	
SAKM 350-48*	SAKM 350-38*	350	350	—	—	

* For aluminum conductors only.

Note: For tin-plating option, add "-TN" suffix to the catalog number.