

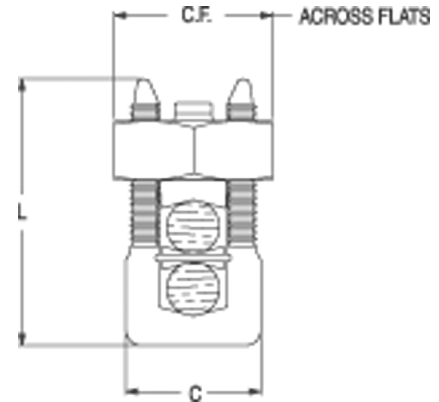
### TYPE KSU

#### UNIVERSAL SERVIT®

For Use On All Combinations of Copper, Aluminum, ACSR, AAAC, 5005, and Steel

Tin-plated, high strength, copper alloy SERVIT® split-bolt with spacer. Spacer separates dissimilar conductors and provides long contact length that prevents high pressure point contacts between run and tap conductors.

Use of PENETROX™ joint compound recommended with Aluminum and ACSR.



Copper Only



486A  
Copper Only

| Catalog Number | Cross Flats | L    | W    | Conductor            |                         |                    |                      |                       |            |           | Recommended Tightening Torque (in-lb) |
|----------------|-------------|------|------|----------------------|-------------------------|--------------------|----------------------|-----------------------|------------|-----------|---------------------------------------|
|                |             |      |      | Run                  |                         | Tap                |                      | Steel (Max Conductor) |            |           |                                       |
|                |             |      |      | Copper & Aluminum    | ACSR AAAC 5005          | Copper & Aluminum  | ACSR AAAC 5005       | Sol. BWG              | 3 Str. BWG | Nom. Dia. |                                       |
| <b>KSU17</b>   | 0.62        | 0.92 | 0.42 | 12 Sol. - 6 Sol.     | 8 (6-1)                 | 12 Sol. - 6 Sol.   | 8 (6-1)              | 8                     | —          | 5/32      | 165                                   |
| <b>KSU20</b>   | 0.69        | 1.05 | 0.48 | 10 Sol. - 4 Sol.     | 6 (6-1)                 | 10 Sol. - 4 Sol.   | 6 (6-1)              | 6                     | 8          | 7/32      | 165                                   |
| <b>KSU22</b>   | 0.74        | 1.25 | 0.57 | 10 Sol. - 2 Sol.     | 6 (6-1) - 4 (7-1)       | 10 Sol. - 2 Sol.   | 6 (6-1) - 4 (7-1)    | 4                     | 6          | 1/4       | 275                                   |
| <b>KSU23</b>   | 0.81        | 1.48 | 0.59 | 8 Str. - 2 Str.      | 3 (6-1) - 2 (6-1)       | 8 Sol. - 2 Str.    | 6 (6-1) - 2 (6-1)    | —                     | 4          | 5/16      | 275                                   |
| <b>KSU25</b>   | 0.93        | 1.77 | 0.70 | 2 Str. - 1/0 Str.    | 3 (6-1) - 1 (6-1)       | 10 Str. - 1/0 Str. | 6 (6-1) - 1 (6-1)    | —                     | —          | 3/8       | 385                                   |
| <b>KSU26</b>   | 1.04        | 1.93 | 0.79 | 2 Str.-2/0 Str.      | 1 (6-1) - 1/0 (6-1)     | 8 Str. - 2/0 Str.  | 6 (6-1) - 1/0 (6-1)  | —                     | —          | 7/16      | 385                                   |
| <b>KSU27</b>   | 1.38        | 2.34 | 1.12 | 1 Str. - 3/0 Str.    | 1 (6-1) - 2/0 (6-1)     | 8 Sol. - 3/0 Str.  | 8 (6-1) - 2/0 (6-1)  | —                     | —          | 1/2       | 500                                   |
| <b>KSU29</b>   | 1.38        | 2.50 | 1.58 | 1Str. -250 kcmil     | 2/0 (6-1) - 4/0 (6-1)   | 8 Str. - 250       | 6 (6-1) - 4/0 (6-1)  | —                     | —          | 1/2       | 650                                   |
| <b>KSU31</b>   | 1.69        | 2.88 | 1.36 | 1/0 Str. - 350 kcmil | 3/0 (6-1) - 4/0 (6-1)   | 4 Str. - 350       | 4 (6-1) - 4/0 (6-1)  | —                     | —          | 5/8       | 650                                   |
| <b>KSU34</b>   | 2.00        | 3.12 | 1.47 | 400 - 500 kcmil      | 336 (30-7) - 477 (18-1) | 2 Str. - 500       | 2 (6-1) - 477 (18-1) | —                     | —          | —         | 825                                   |

Accommodates compressed conductors within conductor ranges.  
 ✓ See note LIGHTNING PROTECTION INFO.

**TYPE SC**

**SERVIT® COVER**

**HUG-A-BUG**

Used indoors or outdoors this compact, one-piece plastic SERVIT® cover, saves time and material, eliminates costly taping of split-bolts. Positive latch snaps easily and quickly over connector, ideal for tight quarters. Self positioning plastic fingers wrap around wires fully insulating joint. UL Listed for 600 volt indoor application. Three covers accommodate a range of 6 SERVIT® sizes through 2/0 Str.



| Catalog Number | Conductor Range         |          |                   |          | *For Use with | For Use with |
|----------------|-------------------------|----------|-------------------|----------|---------------|--------------|
|                | Range for Equal Run/Tap |          | Min. Tap/Max. Run |          |               |              |
|                | Min.                    | Max.     | Min.              | Max.     |               |              |
| SC4            | 8 Str.                  | 6 Sol.   | 14 Str.           | 6 Sol.   | KS17          | —            |
| SC4            | 8 Str.                  | 4 Sol.   | 14 Str.           | 4 Sol.   | KS20          | —            |
| SC2            | 6 Str.                  | 2 Sol.   | 14 Str.           | 2 Sol.   | KS22          | KSA6         |
| SC2            | 6 Str.                  | 2 Str.   | 14 Str.           | 2 Str.   | KS23          | KSA4         |
| SC2/0          | 4 Str.                  | 1/0 Str. | 14 Str.           | 1/0 Str. | KS25          | KSA2         |
| SC2/0          | 2 Str.                  | 2/0 Str. | 14 Str.           | 2/0 Str. | KS26          | KSA1/0       |

\* UL Listing of Type SC Cover applies to use on BURNDY® SERVIT® Type KS and to equivalent split-bolt connectors indicated strip length is maintained,

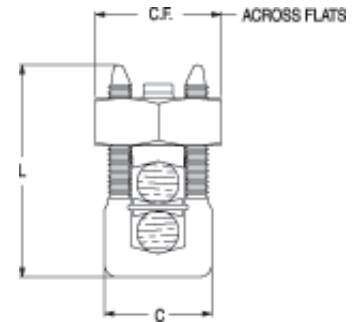
maximum indicated conductor sizes are not exceeded, and connector is properly located within recess provided for it.

**TYPE KSU**

**UNIVERSAL SERVIT®**

**ACCOMMODATES:** COPPER, COPPERWELD, AAC, ACSR, AAAC AND STEEL

**MATERIAL:** COPPER (TIN PLATED)



Tin-plated, high strength copper alloy SERVIT® with spacer. Spacer separates dissimilar conductors and provides long contact length that prevents high pressure point contacts between run and tap conductors. Use of PENETROX™

joint compound recommended with Aluminum and ACSR to limit oxide growth and increase life of connection. To ensure proper tightening torque use BURNDY® BTW Torque Wrenches.



486A  
Copper Only

| Catalog Number | L    | C    | Run               |                         | Tap                |                      | Max. Conductor                |   |      | Recommended Tightening Torque in-lb | Wrench Size (across Flats) |
|----------------|------|------|-------------------|-------------------------|--------------------|----------------------|-------------------------------|---|------|-------------------------------------|----------------------------|
|                |      |      | Copper & Aluminum | ACSR / AAAC / 5005      | Copper & Aluminum  | ACSR / AAAC / 5005   | Steel                         |   |      |                                     |                            |
|                |      |      |                   |                         |                    |                      | Sol. 3 Str. Nom. BWG BWG Dia. |   |      |                                     |                            |
| KSU17          | 0.92 | 0.42 | 12 Sol. - 6 Sol.  | 8 (6-1)                 | 12 Sol. - 6 Sol.   | 8 (6-1)              | 8                             | — | 5/32 | 165                                 | 5/8                        |
| KSU20          | 1.05 | 0.48 | 10 Sol. - 4 Sol.  | 6 (6-1)                 | 10 Sol. - 4 Sol.   | 6 (6-1)              | 6                             | 8 | 7/32 | 275                                 | 11/16                      |
| KSU22          | 1.25 | 0.57 | 10 Sol. - 2 Sol.  | 6 (6-1) - 4 (7-1)       | 10 Sol. - 2 Sol.   | 6 (6-1) - 4 (7-1)    | 4                             | 6 | 1/4  |                                     | 3/4                        |
| KSU23          | 1.48 | 0.59 | 8 Str. - 2 Str.   | 3 (6-1) - 2 (6-1)       | 8 Sol. - 2 Str.    | 6 (6-1) - 2 (6-1)    | —                             | 4 | 5/16 | 385                                 | 13/16                      |
| KSU25          | 1.77 | 0.70 | 2 Str. - 1/0 Str. | 3 (6-1) - 1 (6-1)       | 10 Str. - 1/0 Str. | 6 (6-1) - 1 (6-1)    |                               |   | 3/8  |                                     | 15/16                      |
| KSU26          | 1.93 | 0.79 | 2 Str. - 2/0 Str. | 1 (6-1) - 1/0 (6-1)     | 8 Str. - 2/0 Str.  | 6 (6-1) - 1/0 (6-1)  |                               |   | 7/16 | 500                                 | 1-1/16                     |
| KSU27          | 2.34 | 1.12 | 1 Str. - 3/0 Str. | 1 (6-1) - 2/0 (6-1)     | 8 Sol. - 3/0 Str.  | 8 (6-1) - 2/0 (6-1)  |                               |   | 1/2  |                                     | 1-3/8                      |
| KSU29          | 2.50 | 1.58 | 1 Str. - 250      | 2/0 (6-1) - 4/0 (6-1)   | 8 Str. - 250       | 6 (6-1) - 4/0 (6-1)  |                               |   | 5/8  | 650                                 | 1-11/16                    |
| KSU31          | 2.88 | 1.36 | 1/0 Str. - 350    | 3/0 (6-1) - 4/0 (6-1)   | 4 Str. - 350       | 4 (6-1) - 4/0 (6-1)  |                               |   |      |                                     | 1-11/16                    |
| KSU34          | 3.12 | 1.47 | 400 - 500         | 336 (30-7) - 477 (18-1) | 2 Str. - 500       | 2 (6-1) - 477 (18-1) |                               |   | —    | 825                                 | 1-13/16                    |