

## Interfaces

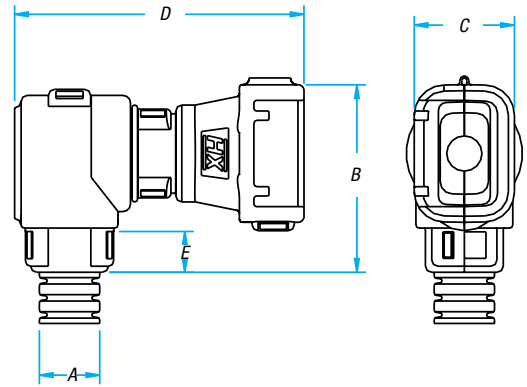
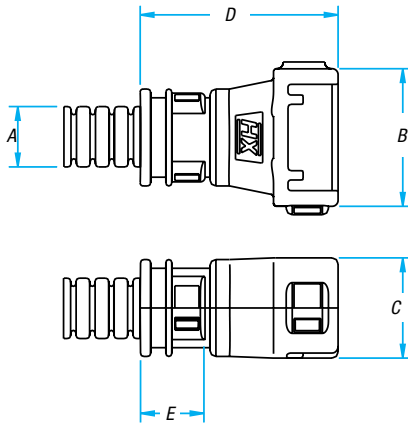
### FCI Automotive Apex® Hinged Interfaces

Single-junction, straight and 90° elbow fittings provide high-integrity connections between FCI Apex® connectors or Junior Timer connectors and Harnessflex® conduit systems.

These fittings are designed to snap together over all types of slit and unslit conduit, thus maintaining maximum conduit bore.

In addition, 90° elbow versions allow the conduit to swivel 360° around the connector housing, sufficient to avoid the problems associated with one-piece interfaces of overflexing due to movement or vibration.

For connector part number reference table, see **page E-384**.



#### FCI Automotive Apex® Straight Interfaces

CAT. NO.	CONNECTOR	CONDUIT SIZE A		NOMINAL DIMENSIONS (MM)			
		(NC)	(NW)	B	C	D	E
CI08-FCI02	2-Way	08	7.5	25	17	33	12
CI08-FCI03	3-Way	08	7.5	34	17	34	12
CI08-FCI04	4-Way	08	7.5	39	17	34	12
CI12-FCI02	2-Way	12	10	25	17	27	7
CI12-FCI03	3-Way	12	10	35	17	29	7
CI12-FCI04	4-Way	12	10	38	17	29	7
CI12-FCI14	14-Way	12	10	53	26	34	10
CI16-FCI14	14-Way	16	13	53	26	59	10
16-FCI14	14-Way	n/a	n/a	53	26	33	n/a
CI17-FCI10	10-Way	17	n/a	39.2	25.5	44	10.6
CI25-FCI50	50-Way	25	22	56	37	50.7	13

Apex is a registered trademark of FCI.

#### FCI Automotive Apex® 90° Elbow Swivel Interfaces

CAT. NO.	CONNECTOR	CONDUIT SIZE A		NOMINAL DIMENSIONS (MM)			
		(NC)	(NW)	B	C	D	E
CI08-90-FCI02	2-Way	08	7.5	31	19	48	10
CI08-90-FCI03	3-Way	08	7.5	35	19	49	10
CI08-90-FCI04	4-Way	08	7.5	38	19	49	10
CI12-90-FCI02	2-Way	12	10	32	19	48	10
CI12-90-FCI03	3-Way	12	10	37	19	49	10
CI12-90-FCI04	4-Way	12	10	38	19	49	10
CI08-90-FCI14	14-Way	08	7.5	38	24	57	10
CI12-90-FCI14	14-Way	12	10	38	24	57	10
CI16-90-FCI14	14-Way	16	13	38	24	57	10
CI08-90-FCS02	2-Way SICMA	08	7.5	30	19	33	10

## Technical Information

### Connector Catalog Number Reference

CAT. NO.	REF. NO.	NOTES	CAT. NO.	REF. NO.	NOTES	CAT. NO.	REF. NO.	NOTES	CAT. NO.	REF. NO.	NOTES
CI08-180-K2C			CI08-AS1	282079-2	•	CI12-90-AM3	1-827578-1	•	CI12-AT6PL	776433-1	•
CI08-72585			CI08-AS2	282080-1	•	CI12-90-AM4	281804-1	•	CI12-AT8PL	776494-1	•
CI08-90-AM2	347887-3	•	CI08-AS3	282087-1	•	CI12-90-AS1	282079-2	•	CI12-BC2	1 928 403 137	◆
CI08-90-AM3	1-827578-1	•	CI08-AS4	282088-1	•	CI12-90-AS2	282080-1	•	CI12-BC3	1 928 403 110	◆
CI08-90-AM4	281804-1	•	CI08-AT2PL	776427-1	•	CI12-90-AS3	282087-1	•	CI12-BC4	1 928 403 112	◆
CI08-90-AS1	282079-2	•	CI08-AT3PL	776427-1	•	CI12-90-AS4	282088-1	•	CI12-DT2	DT06-2S	▼
CI08-90-AS2	282080-1	•	CI08-AT4PL	776487-1	•	CI12-90-AT2LP	776427-1	•	CI12-DT3	DT06-3S	▼
CI08-90-AS3	282087-1	•	CI08-AT6PL	776433-1	•	CI12-90-AT2LR			CI12-DT4	DT06-4S	▼
CI08-90-AS4	282088-1	•	CI08-BC2	1 928 403 137	◆	CI12-90-AT2PL	776427-1	•	CI12-DT6	DT06-6S	▼
CI08-90-AT2LP	776427-1	•	CI08-BC3	1 928 403 110	◆	CI12-90-AT3LP	776427-1	•	CI12-DT8	DT06-8SA	▼
CI08-90-AT2LR			CI08-BC4	1 928 403 112	◆	CI12-90-AT3LR			CI12-FCI02		
CI08-90-AT2PL	776427-1	•	CI08-DE001	12078090		CI12-90-AT3PL	776427-1	•	CI12-FCI03		
CI08-90-AT3LP	776427-1	•	CI08-DT2	DT06-2S	▼	CI12-90-AT4LP	776487-1	•	CI12-FCI04		
CI08-90-AT3LR			CI08-DT3	DT06-3S	▼	CI12-90-AT4LR			CI12-FCI14		
CI08-90-AT3PL	776427-1	•	CI08-DT6	DT06-6S	▼	CI12-90-AT4PL	776487-1	•	CI12-MF2		
CI08-90-AT4LP	776487-1	•	CI08-F2W			CI12-90-AT6LP	776433-1	•	CI12-WP2		
CI08-90-AT4LR			CI08-FCI02			CI12-90-AT6LR			CI12-X01		
CI08-90-AT4PL	776487-1	•	CI08-FCI03			CI12-90-BC2	1 928 403 137	✓	CI16-90-AT8PL	776494-1	•
CI08-90-AT6LP	776433-1	•	CI08-FCI04			CI12-90-BC3	1 928 403 110	✓	CI16-90-DT12	DT06-12SA	▼
CI08-90-AT6LR			CI08-GT153			CI12-90-BC4	1 928 403 112	✓	CI16-90-DT8	DT06-8SA	▼
CI08-90-BC2	1 928 403 137	◆	CI08-GT153-Z			CI12-90-DT12	DT06-12SA	▼	CI16-90-FCI14		
CI08-90-BC3	1 928 403 110	◆	CI08-MF2			CI12-90-DT2	DT06-2S	▼	CI16-AT12PL	776494-1	•
CI08-90-BC4	1 928 403 112	◆	CI08-MMP2			CI12-90-DT3	DT06-3S	▼	CI16-AT8PL	776494-1	•
CI08-90-DE001			CI08-MP2			CI12-90-DT4	DT06-4S	▼	CI16-DT12	DT06-12SA	▼
CI08-90-DT2	DT06-2S	▼	CI08-MP3			CI12-90-DT6	DT06-6S	▼	CI16-DT8	DT06-8SA	▼
CI08-90-DT2C			CI08-NV001			CI12-90-DT8	DT06-8SA	▼	CI16-FCI14		
CI08-90-DT3	DT06-3S	▼	CI08-PTD2			CI12-90-DTP04			CI16-LK20		
CI08-90-DT4	DT06-4S	▼	CI08-SU4			CI12-90-FCI02			CI17-FCI10		
CI08-90-DT6	DT06-6S	▼	CI08-TY002	184002-1	✓	CI12-90-FCI03			CI201220-DRC50		
CI08-90-FCI02			CI08-WP2			CI12-90-FCI04			CI202820-DRC50		
CI08-90-FCI03			CI08-WS2			CI12-90-FCI14			CI20-A31		
CI08-90-FCI04			CI10-90			CI12-90-GT153			CI20-AT12PL	776494-1	•
CI08-90-FCI14			CI10-90-AM2	347887-3	•	CI12-90-K2C			CI251225-DRC50		
CI08-90-FCS02			CI10-90-AM3	1-827578-1	•	CI12-90-K3C			CI252825-DRC50		
CI08-90-GT153			CI10-90-AM4	281804-1	•	CI12-90-MMP2			CI25-A31		
CI08-90-K2C			CI10-90-AS2	282080-1	•	CI12-90-MP2			CI25-FCI50		
CI08-90-K3C			CI10-90-AS3	282087-1	•	CI12-90-MP3			CI28-90-25		
CI08-90-MMP2			CI10-90-AS4	282088-1	•	CI12-90-WP2			CI28-BC40		
CI08-90-MP2			CI10-AM2	347887-3	•	CI12-90-X01			CI28-CCU138		
CI08-90-MP3			CI10-AM3	1-827578-1	•	CI12-AM2	347887-3	•	CI32-A31		
CI08-90-NV001			CI10-AM4	281804-1	•	CI12-AM3	1-827578-1	•	CI-DT2C		
CI08-90-PTD2			CI10-AS2	282080-1	•	CI12-AM4	281804-1	•	CI-FCS02		
CI08-90-S			CI10-AS3	282087-1	•	CI12-AS1	282079-2	•	CI-K2C		
CI08-90-SU4			CI10-AS4	282088-1	•	CI12-AS2	282080-1	•	CI-K3C		
CI08-90-WP2			CI10-MF2			CI12-AS3	282087-1	•	CI-MF-90		
CI08-AM2	347887-3	•	CI121212-DRC50			CI12-AS4	282088-1	•	CIS-90		
CI08-AM3	1-827578-1	•	CI122812-DRC50			CI12-AT12PL	776494-1	•			
CI08-AM4	281804-1	•	CI12-90-AM2	347887-3	•	CI12-AT4PL	776487-1	•			

• All Color and Wire Variants    ◆ All Bosch Compact Variants    ▼ All Color Variants    ✓ All Color and Key Variants