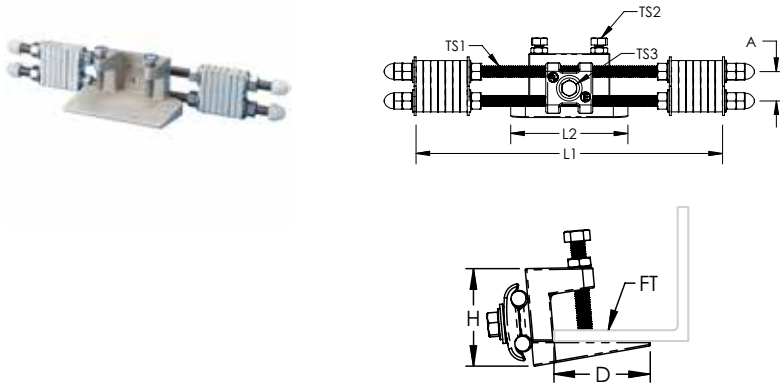




---

# GROUNDING BUSBARS

## Theft-Deterrent Grounding Busbar, Flange Mount Assembly



Material: Copper, Stainless Steel 18-8 (EN 1.4305), Nylon  
 Finish: Tinned  
 Spacer Thickness: 1/4"

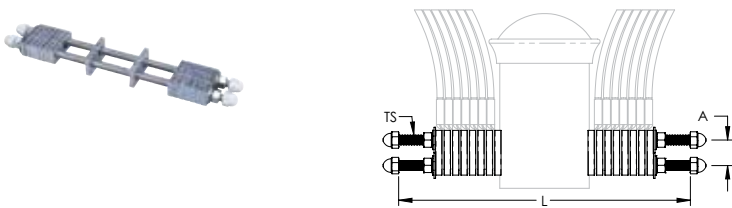


### Featured Highlights

- Mounts to a typical structural beam flange on a telecom tower without cutting or drilling the flange
- Accepts standard telecommunication grounding lugs (lugs not included)
- Includes 14 Standard Spacers (TDSGAS)

Part Number	Length 1	Length 2	Depth	Height	A	Flange Thickness	Thread Size 1	Thread Size 2	Thread Size 3
TDSGABC14	10 1/2"	4"	2.13"	2.7"	1"	1/4" - 1"	3/8 UNC	5/16 UNC	5/16 UNC

## Theft-Deterrent Grounding Busbar, Pole Mount Assembly



Material: Copper, Stainless Steel 304 (EN 1.4301), Stainless Steel 18-8 (EN 1.4305)  
 Finish: Tinned  
 Spacer Thickness: 1/4"



### Featured Highlights

- Mounts on a standard Schedule 40 ice bridge pole (3.5" or 88.9 mm nominal outer diameter) and provides a path to the buried ground ring via a connection to the post
- This assembly eliminates the need for a solid copper busbar and down lead
- The connection to the ground ring is concealed below grade
- Accepts standard telecommunication grounding lugs (lugs not included)
- Includes 14 Standard Spacers (TDSGAS) and 2 Pole Mount Spacers (TDSGAP)
- Pole itself is not included in the assembly

Part Number	Length	A	Thread Size
TDSGAPA14	10 1/2"	1"	3/8 UNC