

Partial mounting panel

Quick Features:

- Galvanized steel

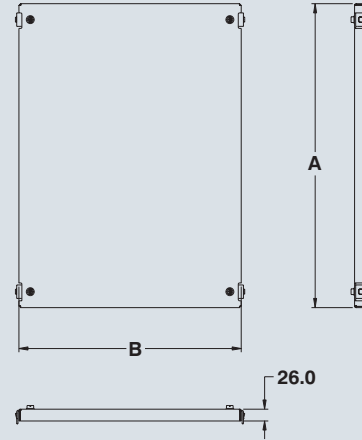
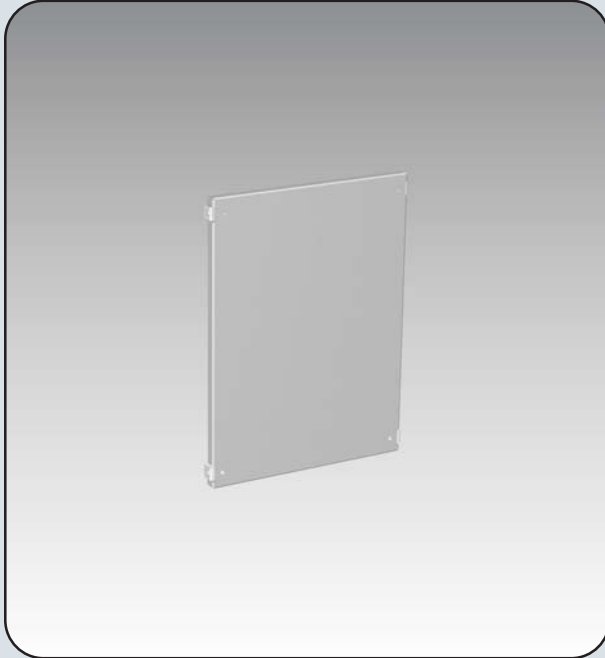
Visit www.eurobex.com for details.

Call us toll free 1-800-363-2423

The **6500 MXMP partial mounting panel** is installed inside a Eurobex cabinet. They are made of galvanized steel or stainless steel.

Partial mounting panels are bolted to the frame using the included installation brackets and hardware. The panels can also be installed using optional grid rails.

The panels are unpainted, the finish is bare galvanized steel or stainless steel.



CATALOG NUMBER	NOMINAL		DIMENSIONS	
	H	W	A	B
6500 MXMP0308	350	800	220	690
6500 MXMP0312	350	1200	220	1090
6500 MXMP0706	700	600	570	490
6500 MXMP0707	700	700	570	590
6500 MXMP0708	700	800	570	690
6500 MXMP0712	700	1200	570	1090
6500 MXMP0716	700	1600	570	1490
6500 MXMP0804	800	400	670	290
6500 MXMP0806	800	600	670	490
6500 MXMP0808	800	800	670	690
6500 MXMP0810	800	1000	670	890
6500 MXMP0812	800	1200	670	1090
6500 MXMP0904	900	400	770	290
6500 MXMP0906	900	600	770	490
6500 MXMP0908	900	800	770	690
6500 MXMP0910	900	1000	770	890

CATALOG NUMBER	NOMINAL		DIMENSIONS	
	H	W	A	B
6500 MXMP0912	900	1200	770	1090
6500 MXMP0916	900	1600	770	1490
6500 MXMP1004	1000	400	870	290
6500 MXMP1006	1000	600	870	490
6500 MXMP1007	1000	700	870	590
6500 MXMP1008	1000	800	870	690
6500 MXMP1010	1000	1000	870	890
6500 MXMP1012	1000	1200	870	1090
6500 MXMP1016	1000	1600	870	1490
6500 MXMP1018	1000	1800	870	1690
6500 MXMP1104	1100	400	970	290
6500 MXMP1106	1100	600	970	490
6500 MXMP1107	1100	700	970	590
6500 MXMP1108	1100	800	970	690
6500 MXMP1110	1100	1000	970	890
6500 MXMP1112	1100	1200	970	1090

ADD SUFFIX 'SS' FOR BRUSHED STAINLESS STEEL

ADD SUFFIX 'SSP' FOR POWDER COATED STAINLESS STEEL

NOT AVAILABLE WITH EMI/RFI SHIELDING

Data subject to change without notice.

Suggested Accessories



p.85