



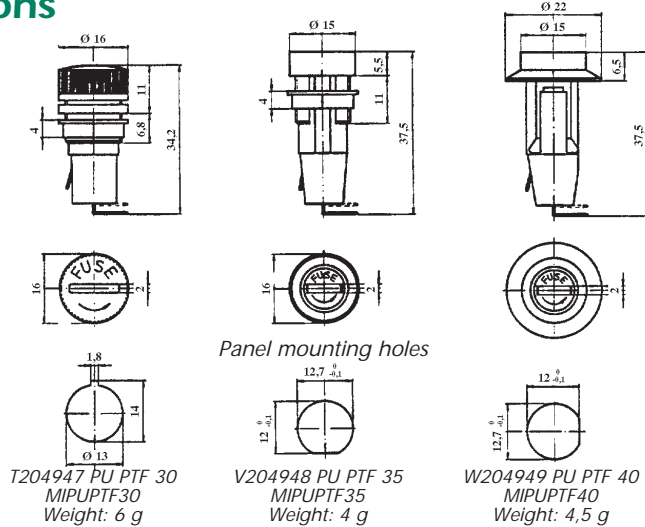
Miniature Fuses Panel Mount Fuseholders PU PTF



250 V AC 6,3A
SHOCK-SAFE FUSE HOLDER 5 x 20
PU PTF 30 - PU PTF 35 - PU PTF 40



Dimensions



PU PTF 30: non-certified

Main Characteristics

Electrical characteristics:

- Rated voltage : 250 V.
- Power dissipation : 2,5 W à 40° C.
- Rated current : 6,3A.
- Dielectric Strength : > 3 KV, 50 Hz, 1 min. dry.
- Contact resistance : < 5 mΩ.
- Insulation resistance : > 100 MΩ.

Mounting:

	PU PTF 30	PU PTF 35	PU PTF 40
Thickness panel :	1 to 3 mm	1 to 6 mm	0,8 to 2,5 mm
Tightening torque :	max. 1,2 N.m	max. 1,2 N.m	

Connections :

slip-on connectors type 2,8 thickness 0,5 mm can be soldered.

Material:

- Holder: Thermoplastics (PC) UL 94 V0, Black.
- Cover: Thermoplastics (PC) UL 94 V0, Black.
- Metal parts copper: Copper Alloy (CuZn37) corrosion protected (Ni+Sn).

Shock Safety: PC1 (IEC standard 127-6).

Packaging:

- 10 and 1000 pieces.