

# URE/URS/URT British Standard

## Protistor® Fuses

690V

URE/URS/URT from 5 to 160A

Sizes: 10 X 51 - 17 X 49 - 2 x 17 x49 mm

### Features/Benefits:

- Extremely high Interrupting rating fuses
- Protection of power semiconductors according to IEC 269.1 and 4
- aR class (ratings from 5 to 160A) according to IEC 269.4
- Two models complying with BS 88-4
  - without indicator (17X49mm)
  - with external trip-indicator (2x17x49mm)



### Applications Data

Voltage Rating $U_N$ (V)	Size mm	Class	Current Rating $I_N$ (A)	Melting $I^2t$ @ 1 ms $I^2t_m$ (A <sup>2</sup> s)	Total Clearing $I^2t$ @ $U_N$ $I^2t_c$ (A <sup>2</sup> s)		Watts Loss		Tested Interrupting Rating
					0.8 $I_N$	$I_N$			
690 V	10x51	URE	5	1.3	10	15	1.05	2	200 kA @ 690 V
			6	1.3	13.5	20.5	1.3	2.5	
			10	3.3	25	35	2.2	4.1	
			12	5.5	40	58	2.3	4.3	
			15	9.7	70	100	2.4	4.4	
			20	19.4	120	200	3.1	5.8	
	17x49	URS	16	9.7	75	107	2.7	4.8	
			20	17.3	130	185	2.9	5.3	
			25	27	200	285	3.7	6.7	
			32	53	400	570	4.7	8.6	
			35	70	510	725	5.2	9.6	
			40	98	760	1080	5.7	10.5	
			45	130	900	1280	6.2	11.4	
			50	156	1000	1420	6.8	12.6	
			55	210	1380	1970	7.2	13.3	
			63	315	2000	2850	7.5	13.9	
			75	525	3350	4630	7.8	14.4	
			80	625	3900	5700	8.5	15.8	
	2x17x49	URT	65	210	1590	2270	9.5	17.4	
			75	310	2300	3280	10.9	20	
			85	430	3050	4350	11.9	21.9	
			90	525	3600	5130	12.4	22.8	
			110	850	5500	7840	13.8	26.5	
			140	1730	11000	15700	15.5	28.5	
150	2090	13400	18500	15.6	28.7				
160	2500	15600	22800	16.9	31.5				

Minimum operating voltage for all trip indicators = 20V

# URE/URS/URT British Standard

Size	Description	Catalog No.
10x51mm	6,9 URE 10/5	D 082458
	6,9 URE 10/6	X 097057
	6,9 URE 10/10	C 082457
	6,9 URE 10/12	Z 079059
	6,9 URE 10/15	B 082456
	6,9 URE 10/20	A 082456

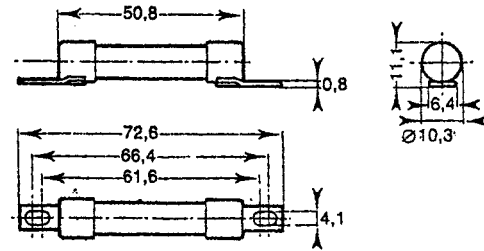
Size	Description	Catalog No.
17x49mm	6,9 URS 17/16	G 075883
	6,9 URS 17/20	H 075884
	6,9 URS 17/25	J 075885
	6,9 URS 17/32	K 075886
	6,9 URS 17/35	L 075887
	6,9 URS 17/40	M 075888
	6,9 URS 17/45	N 075889
	6,9 URS 17/50	P 075890
	6,9 URS 17/55	Q 075891
	6,9 URS 17/63	R 075892
	6,9 URS 17/75	S 075893
	6,9 URS 17/80	T 075894

Size	Description	Catalog No.
17x49mm	6,9 URS 17 P 16	V 075895
	6,9 URS 17 P 20	W 075896
	6,9 URS 17 P 25	X 075897
	6,9 URS 17 P 32	Y 075898
	6,9 URS 17 P 35	Z 075899
	6,9 URS 17 P 40	A 075900
	6,9 URS 17 P 45	B 075901
	6,9 URS 17 P 50	K 081084
	6,9 URS 17 P 55	C 075902
	6,9 URS 17 P 63	D 075903
	6,9 URS 17 P 75	E 075904
	6,9 URS 17 P 80	F 075905

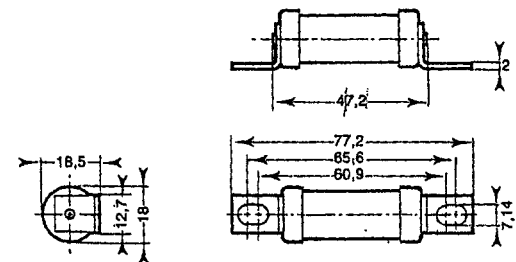
Size	Description	Catalog No.
2X17x49mm	6,9 URT 217/65	G 075906
	6,9 URT 217/75	F 099572
	6,9 URT 217/85	H 075907
	6,9 URT 217/90	A 099958
	6,9 URT 217/110	B 099959
	6,9 URT 217/140	J 075908
	6,9 URT 217/150	C 099960
6,9 URT 217/160	K 075909	

Size	Description	Catalog No.
2X17x49mm	6,9 URT 217 P 65	L 075910
	6,9 URT 217 P 75	M 075911
	6,9 URT 217 P 85	M 075912
	6,9 URT 217 P 90	P 075913
	6,9 URT 217 P 110	Q 075914
	6,9 URT 217 P 140	R 075915
	6,9 URT 217 P 150	S 075916
	6,9 URT 217 P 160	T 075917

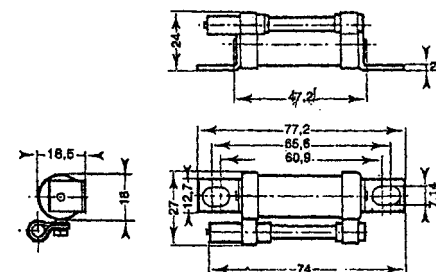
## 10x51 - without Trip-Indicator (mm)



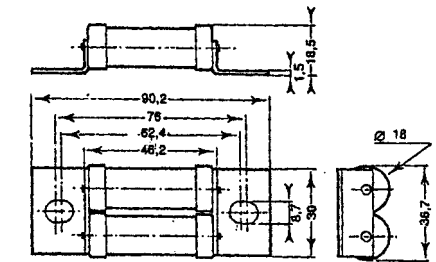
## 17x49 - without Trip-Indicator (mm)



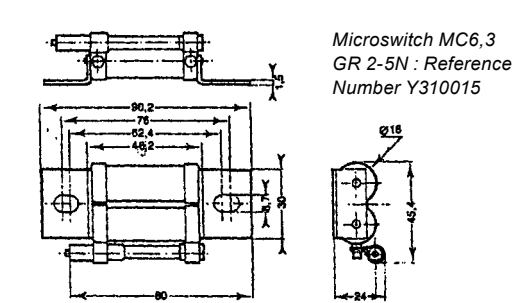
## 17x49 - with Separate Trip-Indicator (mm)



## 2x17x49 - without Trip-Indicator (mm)



## 2x17x49 - with Separate Trip-Indicator (mm)



Microswitch MC6,3  
GR 2-5N : Reference  
Number Y310015