

690/700 Volt PSC Square Body

Mersen 690/700V PSC square body fuses provide maximum flexibility in equipment design and ultimate protection for today's power conversion equipment. These square body fuses are available in four different body sizes, each size having more than seven worldwide acceptable mounting styles. The different mounting styles and body sizes along with a broad range of ampere ratings allow greatest flexibility in equipment design.

Mersen PSC fuses have been engineered to provide state-of-the-art protection for SCRs, diodes, thyristors, GTOs and IGBT devices. They have die-cut elements embedded in solidified sand, which helps control arcing characteristics for low I^2t and high interrupting rating. All contact surfaces are silver plated and all hardware is non-magnetic.

All PSC square body fuses are equipped with a low voltage trip-indicator. This trip-indicator can operate a field mountable microswitch which is easily mounted directly onto the fuse.

Features/Benefits:

- Choice of mounting styles gives wide choice for equipment design
- Broad range of ampere ratings in a given body size for design flexibility
- UL/CSA/IEC 60269-4 compliance for worldwide semiconductor applications

Highlights:

- Extremely fast-acting
- Current-limiting
- Very low I^2t
- Worldwide acceptability
- Superior cycling ability

Applications:

- Protection of rectifiers, inverters, DC drives, UPS Systems, reduced voltage motor starters, and other equipment in globally accepted applications

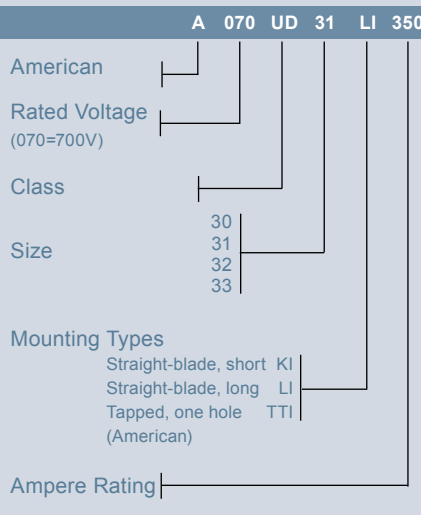
Catalog Number Designation:

A070 UR: North American Mounting Style/Approval Tested @ V_N

PC: European/IEC Mounting Style/Approval Tested @ 1.1 V_N

* V_N = rated voltage

N. American Catalog Numbering System



Ratings:

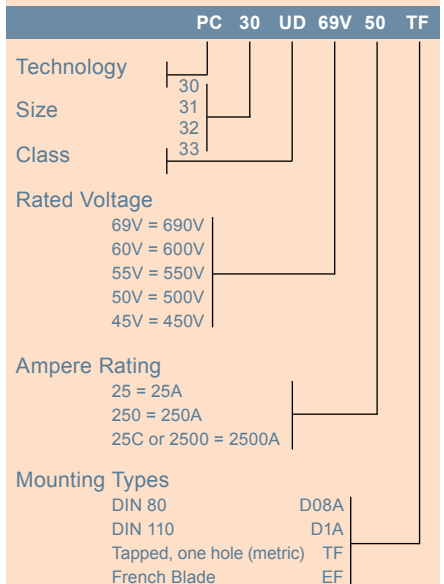
Volts : 450-700 VAC
 : DC - consult factory
Amps : 40-2500A
I.R. : 200kA AC

Approvals:

- UL recognized component File E76491
- IEC 60269-4 certified
- CSA 012636 0 000
- CCC approved



European Catalog Numbering System



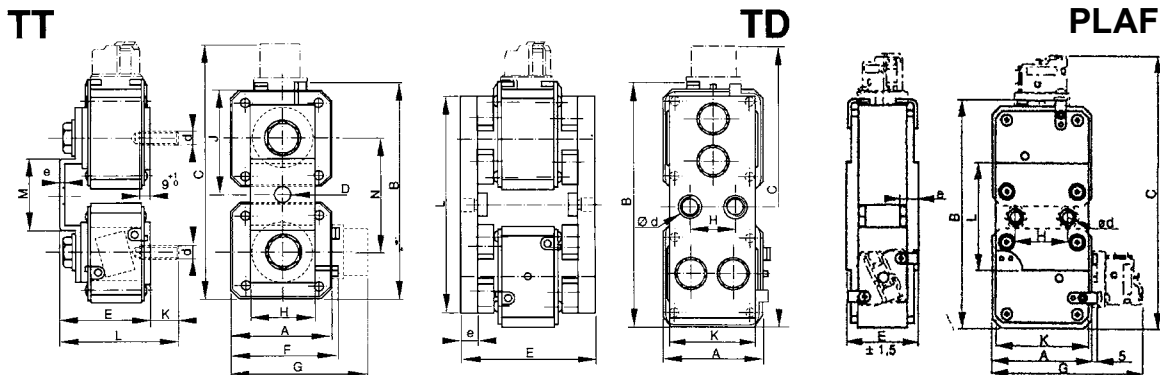
690/700 Volt PSC Square Body

690/700 Volt, 2x32, 2x33 Protection Semiconductor Fuses

Size	Reference No.	Catalog No.	Description	Weight (g)
2 X 32	T300213	PC232UD69V10CTF	6,9URD232TTF1000	1240
	V300214	PC232UD69V13CTF	6,9URD232TTF1250	
	G300087	PC232UD69V14CTF	6,9URD232TTF1400	
	W300215	PC232UD69V16CTD	6,9URD232TDF1600	3300
	X300216	PC232UD69V18CTD	6,9URD232TDF1800	
	Y300217	PC232UD69V20CTD	6,9URD232TDF2000	
2 X 33	D301993	PC232UD55V22CTD	5,5URD232TDF2200	1900
	D300268	PC233UD69V13CTF	6,9URD233TTF1250	
	E300269	PC233UD69V14CTF	6,9URD233TTF1400	
	F300270	PC233UD69V16CTF	6,9URD233TTF1600	2000
	B300427	PC36UD69V18CP11	6,9URD233PLAF1800	
	R302235	PC36UD60V20CP11	6URD233PLAF2000	
	Q302234	PC36UD60V22CP11	6URD233PLAF2200	
	P302233	PC36UD60V25CP11	6URD233PLAF2500	
	N302232	PC36UD60V28CP11	6URD233PLAF2800	
	L301977	PC36UD55V30CP11	5,5URD233PLAF3000	
	M301978	PC36UD55V32CP11	5,5URD233PLAF3200	
	N301979	PC36UD50V36CP11	5URD233PLAF3600	
	P301980	PC36UD50V40CP11	5URD233PLAF4000	
	Q301981	PC36UD45V45CP11	4,5URD233PLAF4500	
R301982	PC36UD40V50CP11	4URD233PLAF5000		

Dimensions (mm)

Size	A	B	C	D	E	F	G	H	J	K	d	e	L	M	N
2x32 TT	60	138.5	172	11	67.6	66.5	100	35	61	40	M 10	4	107.5	48	72
2x33 TT	74.4	167	200	13	67.6	81	114	50	80	40	M 12	4	107.5	54	86
2x32 TD	65.5	147	182	-	91.5	-	-	30	-	60	M 10	12	140	-	-
2x33 PLAF	75	171.5	207	-	55.5	-	115	40	-	71	M 10	15	81	-	-



Studs and microswitches supplied separately