

# Class H NRN/NRS/Canadian Fuses

## NRN & NRS non-time delay fuses

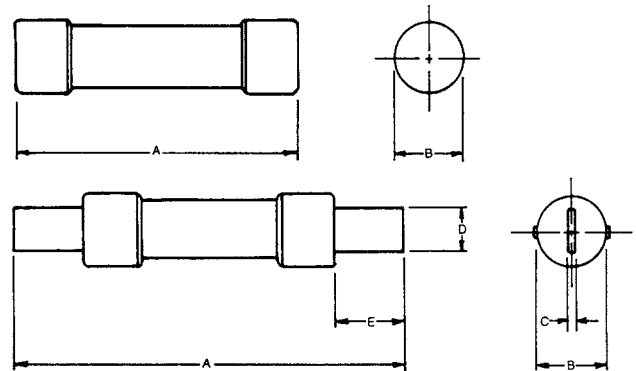
Mersen NRN (250V) and NRS (600V) fuses are standard non-time delay fuses, with a 10kA short circuit rating. 250 Volt NRN15 through NRN60 fuses are certified as Type "P" fuses, satisfying the Canadian Electrical Code for low melting-point non-time delay fuses. Also qualifying for Type "P" are OTN15 through OTN60, which are Class K-5 fuses with a 50kA short circuit rating (found in the OT/OTS section of this catalog).

## 250V NRN Fuses – Dimensions

Ampere Rating	Dimensions - Inches (mm)				
	A	B	C	D	E
1-30	2.00 (50.8)	0.56 (14.2)			0.50 (12.7)
35-60	3.00 (76.2)	0.81 (20.6)			0.63 (16.0)
70-100	5.88 (149)	1.06 (26.9)	0.13 (3.18)	0.75 (19.1)	1.00 (25.4)
110-200	7.13 (181)	1.63 (41.4)	0.19 (4.76)	1.13 (28.7)	1.38 (35.1)
225-400	8.63 (219)	2.13 (54.1)	0.25 (6.35)	1.63 (41.4)	1.88 (47.8)
450-600	10.4 (264)	2.63 (66.8)	0.25 (6.35)	2.00 (50.8)	2.25 (57.2)

## 600V NRS Fuses – Dimensions

Ampere Rating	Dimensions - Inches (mm)				
	A	B	C	D	E
1-30	5.00 (127)	0.81 (20.6)			0.63 (16.0)
35-60	5.50 (139)	1.06 (26.9)			0.63 (16.0)
70-100	7.88 (200)	1.38 (35.1)	0.13 (3.18)	0.75 (19.1)	1.00 (25.4)
110-200	9.63 (244)	1.88 (47.8)	0.19 (4.76)	1.13 (28.7)	1.38 (35.1)
225-400	11.6 (295)	2.63 (66.8)	0.25 (6.35)	1.63 (41.4)	1.88 (47.8)
450-600	13.4 (340)	3.13 (79.5)	0.25 (6.35)	2.00 (50.8)	2.25 (57.2)



## 250V Fuse Ampere Ratings, Catalog Numbers

NRN1	NRN15*	NRN50*	NRN125	NRN350
NRN2	NRN20*	NRN60*	NRN150	NRN400
NRN3	NRN25*	NRN70	NRN175	NRN450
NRN4	NRN30*	NRN80	NRN200	NRN500
NRN5	NRN35*	NRN90	NRN250	NRN600
NRN6	NRN40*	NRN100	NRN250	
NRN10	NRN45*	NRN110	NRN300	

\* CSA Type "P"

## 600V Fuse Ampere Ratings, Catalog Numbers

NRS1	NRS15	NRS50	NRS125	NRS350
NRS2	NRS20	NRS60	NRS150	NRS400
NRS3	NRS25	NRS70	NRS175	NRS450
NRS4	NRS30	NRS80	NRS200	NRS500
NRS5	NRS35	NRS90	NRS250	NRS600
NRS6	NRS40	NRS100	NRS250	
NRS10	NRS45	NRS110	NRS300	

