



Semiconductor Fuses

Large rectifier PSC fuse selection



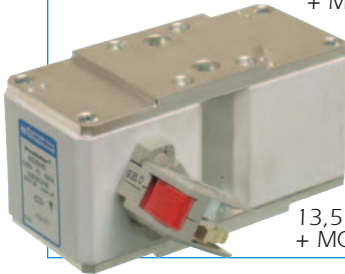
25 URD 123 TTF 630



4 URD TDF 1000



9,5 URD 94 PPASF 3800
+ MC3E 1-5N



13,5 URD 283 PLAF 1600
+ MCR3E 1-5NBS

Ferraz Shawmut PSC-LR fuse-links provide maximum flexibility in equipment design and ultimate protection for today's power conversion equipment. These square body fuse-links are available in various body sizes with a broad range of ampere ratings allowing the greatest flexibility in equipment design.

The Ferraz Shawmut PSC-LR fuse range has been engineered to provide state of the art protection for high power semiconductors such as diodes, thyristors, GTO's, IGCT's and IGBT's.

They have pure silver fuse elements embedded in solidified sand which provides optimized I²t and high interrupting rating. All contact surfaces are plated and all hardware non-magnetic.

All fuses are standard with a low voltage blown fuse indicator. This indicator can operate a microswitch which is easily mounted directly onto the fuse in service.



13,5 URD 294 TDSFF 3400
+ MCR3E 1-5NBS



13 URD 84 TQFPLA 0900

HIGHLIGHTS

- Highly current limiting.
- Isolating fuse
- High breaking capacities
- High capability of selection in case of external fault
- Worldwide acceptance.
- Superior cycling ability.
- High withstanding in rush current and overloads
- Optimized coordination ratio

APPLICATIONS

Protection of large rectifiers, inverters, static transfer switch, AC & DC drives and UPS systems.

Ratings

AC: up to 10 000A
130 V - 3 800V
100 - 240 kA IR
DC: Consult Factory

Approvals

AC: Tested to IEC 60269-4

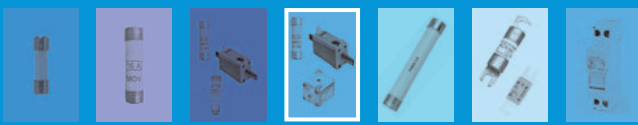
Features/Benefits

Customized terminals available under request

Wide range of mounting styles

Broad range of ampere ratings in each body size for design flexibility

IEC 269-4 compliance for fuses for worldwide semiconductor applications



Semiconductor Fuses

950 - 1800 V
4200 - 1050 A

PSC - LR range - Size 93

Size	Ratings (A) In	Voltage (V) Un	Pre-Arcing de @ 1ms I ² tp (kA ² s)	Total I ² t @ Un (kA ² s)	I @ 10ms (A)	Power losses (W)		Breaking capacities (kA)
						0,8In	In	
	525	1800	66	510	4600	71	142	115
	575	1800	84	650	5200	74	148	115
	600	1800	95	740	5500	76	152	115
	630	1800	110	850	6000	79	157	115
	700	1800	158	1225	7150	83	165	115
	750	1800	186	1438	7700	86	171	115
	850	1800	280	2200	10000	90	180	115
93	900	1700	315	2200	10750	100	200	115
end contacts	950	1700	355	2510	12000	103	205	115
	1000	1700	440	3100	12000	105	210	115
	1100	1400	680	3700	14800	105	210	115
	1250	1400	990	5500	18000	108	215	115
	1400	1200	1440	6500	21500	113	225	220
	1500	1200	1755	8000	24000	115	230	220
	2000	1100	2750	11300	30000	158	315	114
	2100	950	3950	14000	35800	150	300	223
	1050	1800	264	2040	9200	142	284	115
	1150	1800	336	2600	10400	148	296	115
	1200	1800	380	2960	11000	152	304	115
	1250	1800	440	3400	12000	157	314	115
	1400	1800	632	4900	14300	165	330	115
	1500	1800	744	5750	15400	171	342	115
	1700	1800	1120	8800	20000	180	360	115
	1800	1700	1260	8800	21500	200	400	115
	1900	1700	1420	10040	24000	205	410	115
2x93	2000	1600	1760	11500	24000	210	420	115
double body	2200	1300	2720	13500	29600	210	420	115
press pack	2500	1300	3960	20000	36000	215	430	115
or end contacts	2800	1100	5760	23500	43000	225	450	220
	3000	1100	7020	29000	48000	230	460	220
	4000	1000	11000	41100	60000	315	630	235
	4200	950	15800	56000	71600	300	600	222



Semiconductor Fuses

PSC - LR range - 93

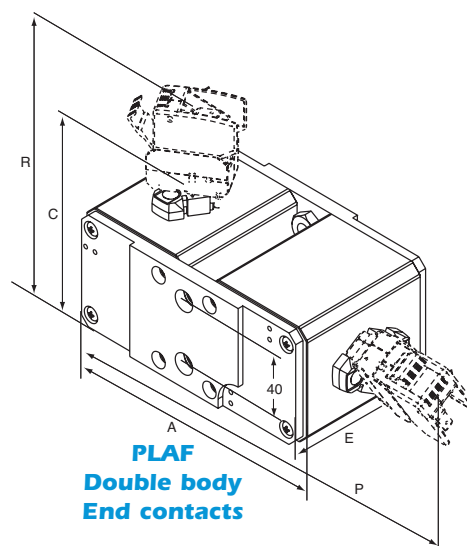
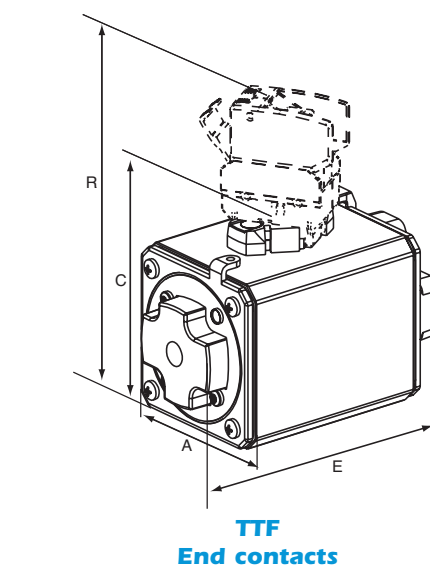
Size	Catalog Number	Weight (g)	Packaging
	18 URD 93 TTF 525	*	
	18 URD 93 TTF 575	*	
	18 URD 93 TTF 600	*	
	18 URD 93 TTF 630	*	
	18 URD 93 TTF 700	*	
	18 URD 93 TTF 750	*	
	18 URD 93 TTF 850	*	
93	17 URD 93 TTF 900		
end contacts	17 URD 93 TTF 950	* 2000	1
	17 URD 93 TTF 1000	*	
	14 URD 93 TTF 1100		
	14 URD 93 TTF 1250		
	12 URD 93 TTF 1400		
	12 URD 93 TTF 1500		
	11 URD 93 TTF 2000		
	9,5 URD 93 TTF 2100		
	18 URD 293 PLAF 1050		
	18 URD 293 PLAF 1150		
	18 URD 293 PLAF 1200		
	18 URD 293 PLAF 1250		
	18 URD 293 PLAF 1400		
	18 URD 293 PLAF 1500		
	18 URD 293 PLAF 1700		
	17 URD 293 PLAF 1800		
	17 URD 293 PLAF 1900	4010	1
2x93*	16 URD 293 PLAF 2000		
double body	13 URD 293 PLAF 2200		
end contacts	13 URD 293 PLAF 2500		
	11 URD 293 PLAF 2800		
	11 URD 293 PLAF 3000		
	10 URD 293 PLAF 4000		
	9,5 URD 293 PLAF 4200		

* Press pack available on request

Microswitches : MC3E1-5N * - Ref. D310020
 MC3E1-5NBS * - Ref. E310021
 MC3E1-9NBS * - Ref. F310022
 MC3E1-5NET - Ref. L310027
 MCR3E1-5N * - Ref. G310023
 MCR3E1-5NBS * - Ref. P310030
 MCR3E1-9NBS * - Ref. H310024
 MCR3E1-5NET - Ref. Q310031

Insulation voltage 1250 VAC - DC (data p 21)

Insulation voltage 2200 VAC - DC (data p 21)



Threaded studs and microswitches ordered separately

Size	A	C ⁽¹⁾	D	E ^{±1.7}	d	G ^{±0.1} threaded depth	P	R
93 TTF	73	88	-	117,5	M 12	9	-	135
	2.87"	3.46"		4.63"		0.35"		5.32"
293 PLAF	180	88	-	104,1	M 10	15	227	135
	7.09"	3.46"		4.10"		0.59"	8.94"	5.32"

Dimension in mm and inches

See studs p. 23

See mounting torque and clamping force information p 23

(1) Trip indicator extended

(*) Pending