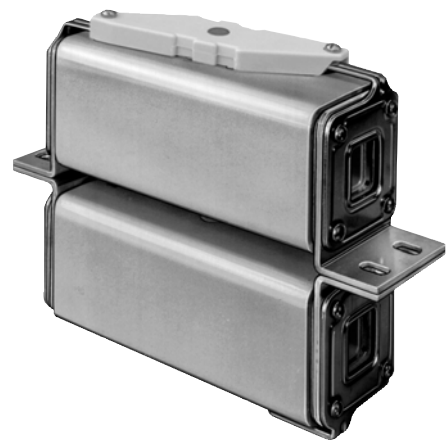
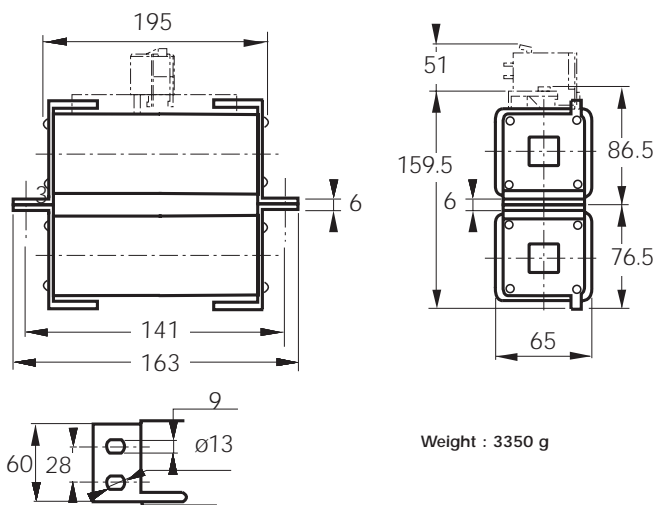


DC Square-body Fuses Sizes 120- 122 - 2x122 SR 2000V DC

Size 2x122
SRD from 500 to 800 A

Dimensions



Main Characteristics

Size	Current rating I_N (A)	Breaking capacity	Watts loss		Max. I^2t @ 1600 V		Designation	Ref. Number	Catalog Number
			$0.8 I_N$ (W)	I_N (W)	L/R = 15 ms (A ² S)	L/R = 45 ms (A ² S)			
2x122	500	@ 1800 V DC 100 kA	145	274	200000	348000	CC 20 SRD 2122 QF 500	E076640	D2122SD20C500QF
	630	L/R = 30 ms @ 2000 V DC	155	314	468000	800000	CC 20 SRD 2122 QF 630	F076641	D2122SD20C630QF
	800	100k A L/R = 15 ms	182	367	876000	1.520000	CC 20 SRD 2122 QF 800	V096066	D2122SD20C800QF

Microswitch: MCR 3E 1-5N BS Ref. Number : G310023

Pack: 1 piece