

## Ram and Hand Pump Hydraulic Driver Kits



- Fast, easy and simple to operate.
- Compact design for field use on construction sites and maintenance jobs.
- Punches 10 times faster than wrench method.
- Will also drive 751 Cable Cutter head.
- Can be used with all standard round, Slug-Buster® and Slug-Splitter® punch sizes.
- Can be used with non-round punches (adapter may be required).
- 3-foot hose.
- Powerful 11-ton hydraulic ram.

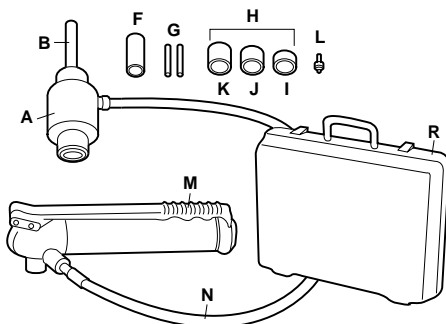
Cat. No.	UPC No.	Description	Weight	
			lbs.	kg.
7646	15906	Driver, hand pump, draw studs, adapter, spacers, Kwik Stepper® Step Bit and plastic case	20	9.1
7306SB	34360	Driver, hand pump, Slug-Buster® punches, dies and draw studs for 1/2" through 2" conduit, adapter, spacers, Kwik Stepper® Step Bit and plastic case	24	10.9
7310SB	34361	Driver, hand pump, Slug-Buster® punches, dies and draw studs for 1/2" through 2" and 2-1/2" through 4" standard conduit size punches, dies and draw studs, adapter, spacers, Kwik Stepper® Step Bit and steel case	54	24.5
7646PgSB	32799	Metric - Driver, Slug-Buster® Pg punches, dies and draw studs for 15.2 mm through 60.0 mm, adapter, spacers, Kwik Stepper® Step Bit and plastic case	24	10.9
38520	38520	Driver, hand pump, Slug-Buster® punches and draw studs for 1/2" through 3" and 4" conduit, adapter, spacers, Kwik Stepper® Step Bit and steel case	48	21.8

### STEEL CAPACITIES FOR CONDUIT SIZES

Required Draw Stud and Accessories	Standard & Slug-Buster® Punches						Standard				Slug-Splitters®					
	1/2"	3/4"	1"	1-1/4"	1-1/2"	2"	2-1/2"	3"	3-1/2"	4"	1/2"	3/4"	1"	1-1/4"	1-1/2"	2"
3/4" Stud (03294), 3/8" Stud (30043) & Spacers	///															
3/4" Stud (03294), Long Spacer		///	///	///												
3/4" Stud (03294), Short Spacer					///											
3/4" Stud (03294)							///									
3/4" Stud (03294), & Sleeve (03170)								///								
7/16" Stud (29451)										///						
3/4" Stud (29452) & Spacer											///	///	///	///	///	///

/// 10 GA. MILD STEEL

███ 10 GA. STAINLESS STEEL



### RAM AND HAND PUMP HYDRAULIC DRIVER PARTS IDENTIFICATION

Key	Cat./UPC No.	Description
A	746 / 17091	Ram (includes Item B)
B	2113AA / 03294	Draw Stud-3/4" x 5-3/8"
F	1557AA / 03170	Punch Sleeve
G	1614SS / 30043	Draw Stud-3/8" x 2-13/16"
H	15908	Spacer Group (includes Items I, J and K)
I	1924AA / 03248	Spacer-Short
J	1925AA / 03249	Spacer-Medium
K	1926AA / 06904	Spacer-Long
L	34410	Kwik Stepper® Step Bit 1/2"
M	767 / 13284	Hydraulic Hand Pump
N	06302 / 06302	High Pressure Hose-1/4" x 3'
R	30206	Plastic Case