

# C-Box Screw Cover with Knockouts

## NEMA 1


**Commercial Enclosures**

### Application

- Designed for general purpose indoor commercial use as a junction, pull or switch box.

### Standards

- UL-50 Type 1
- CSA Type 1
- **Complies with:**
  - NEMA Type 1
  - IEC 60529, IP20

### Construction

- Formed and spot welded from 16 or 14 gauge steel depending on size.
- Flat steel covers fastened with plated steel screws.
- Keyhole slots permit cover to be lifted off without removing screws entirely.
- Easily removed knockouts on all 4 sides (see drawings for sizes and locations).
- Through holes in back for wall mounting.
- Grounding location embossed in body.

### Finish

- Enclosure and cover are finished in ANSI 61 gray powder coating.

Part No.	Overall Dimensions			Mtg. Centers				Knockout Pattern Sides	H	Knockout Pattern Top & Bottom	Ship Wt. lbs.
	A	B	C	D	E	F	G				
CSKO443	4	4	3	2.25	3.00	0.88	0.50	B - C	0.28	A - B	2
CSKO663	6	6	3	3.00	5.00	1.50	0.50	B - C - D	0.28	B - C - D	3
CSKO863	8	6	3	5.00	5.00	1.50	0.50	F - G - H - I	0.28	B - C - D	3
CSKO16143	16	14	3	13.00	13.00	1.50	0.50	B - C - D - E - F - G - H	0.28	B - C - D - E - F - G - H	12
CSKO18143	18	14	3	15.00	13.00	1.50	0.50	A - B - C - D - E - F - G - H - I	0.28	B - C - D - E - F - G - H	13
CSKO20143	20	14	3	17.00	13.00	1.50	0.50	A - B - C - D - E - F - G - H - I	0.28	B - C - D - E - F - G - H	13
CSKO444	4	4	4	2.25	3.00	0.88	0.50	B - C	0.28	A - B	2
CSKO644	6	4	4	3.00	3.00	1.50	0.50	B - C - D	0.28	A - B	3
CSKO664	6	6	4	3.00	5.00	1.50	0.50	B - C - D	0.28	B - C - D	3
CSKO864	8	6	4	5.00	5.00	1.50	0.50	F - G - H - I	0.28	B - C - D	5
CSKO884	8	8	4	5.00	7.00	1.50	0.50	F - G - H - I	0.28	F - G - H - I	5
CSKO1084	10	8	4	7.00	7.00	1.50	0.50	F - G - H - I	0.28	F - G - H - I	6
CSKO10104	10	10	4	7.00	9.00	1.50	0.50	F - G - H - I	0.28	C - D - E - F - G	6
CSKO1284	12	8	4	9.00	7.00	1.50	0.50	C - D - E - F - G	0.28	F - G - H - I	7
CSKO12104	12	10	4	9.00	9.00	1.50	0.50	C - D - E - F - G	0.28	C - D - E - F - G	8
CSKO12124	12	12	4	9.00	11.00	1.50	0.50	C - D - E - F - G	0.28	C - D - E - F - G	9
CSKO16124	16	12	4	13.00	11.00	1.50	0.50	B - C - D - E - F - G - H	0.28	C - D - E - F - G	12
CSKO18124	18	12	4	15.00	11.00	1.50	0.50	A - B - C - D - E - F - G - H - I	0.28	C - D - E - F - G	12
CSKO18184	18	18	4	15.00	17.00	1.50	0.50	A - B - C - D - E - F - G - H - I	0.28	A - B - C - D - E - F - G - H - I	16
CSKO24244	24	24	4	21.00	23.00	1.50	0.50	C - D - E - F - G	0.28	C - D - E - F - G	33

Chart continued on next page....

Technical references and CAD downloads available at [www.hammondmfg.com](http://www.hammondmfg.com)

All dimensions in inches unless specified otherwise

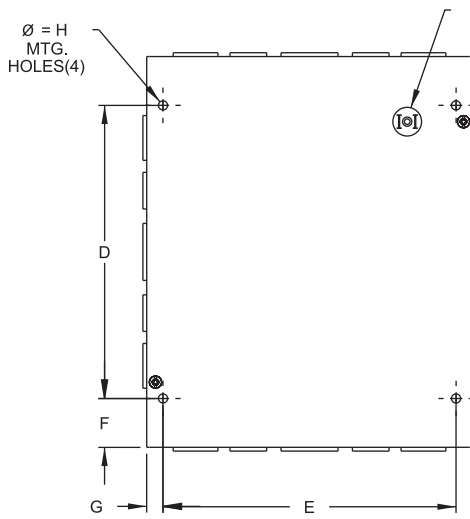
**Junction Boxes**

# C-Box Screw Cover with Knockouts

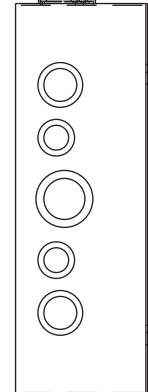
NEMA 1

Commercial Enclosures

Junction Boxes

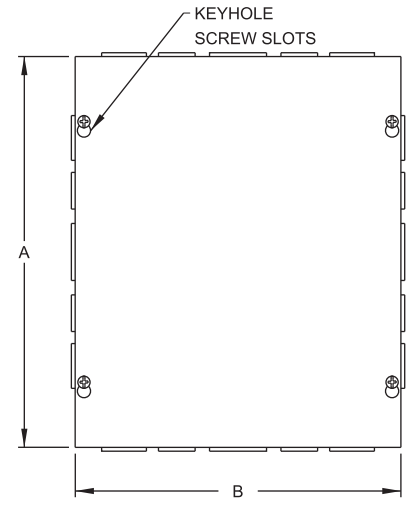


GROUNDING  
EMBOSS

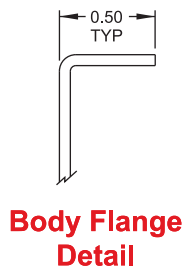


**Side View**

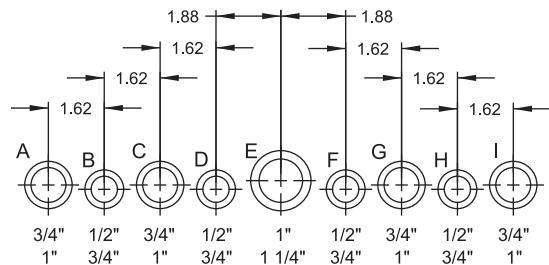
See knockout pattern in table below



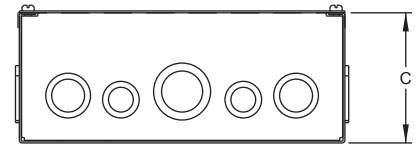
**Front View**



**Body Flange  
Detail**



**Conduit Sizes**



**Bottom View**

See knockout pattern in table below

Part No.	Overall Dimensions			Mtg. Centers				Knockout Pattern Sides		Knockout Pattern Top & Bottom	Ship Wt. lbs.
	A	B	C	D	E	F	G	H			
CSKO666	6	6	6	3.00	5.00	1.50	0.50	B - C - D	0.28	B - C - D	4
CSKO886	8	8	6	5.00	7.00	1.50	0.50	F - G - H - I	0.28	F - G - H - I	6
CSKO1086	10	8	6	7.00	7.00	1.50	0.50	F - G - H - I	0.28	F - G - H - I	7
CSKO10106	10	10	6	7.00	9.00	1.50	0.50	F - G - H - I	0.28	C - D - E - F - G	8
CSKO12106	12	10	6	9.00	9.00	1.50	0.50	C - D - E - F - G	0.28	C - D - E - F - G	9
CSKO12126	12	12	6	9.00	11.00	1.50	0.50	C - D - E - F - G	0.28	C - D - E - F - G	10
CSKO16126	16	12	6	13.00	11.00	1.50	0.50	B - C - D - E - F - G - H	0.28	C - D - E - F - G	13
CSKO16166	16	16	6	13.00	15.00	1.50	0.50	B - C - D - E - F - G - H	0.28	B - C - D - E - F - G - H	16
CSKO18126	18	12	6	15.00	11.00	1.50	0.50	A - B - C - D - E - F - G - H - I	0.28	C - D - E - F - G	14
CSKO18186	18	18	6	15.00	17.00	1.50	0.50	A - B - C - D - E - F - G - H - I	0.28	A - B - C - D - E - F - G - H - I	19
CSKO24186	24	18	6	21.00	17.00	1.50	0.50	A - B - C - D - E - F - G - H - I	0.28	A - B - C - D - E - F - G - H - I	26
CSKO24246	24	24	6	21.00	22.50	1.50	0.75	A - B - C - D - E - F - G - H - I	0.44	A - B - C - D - E - F - G - H - I	37
CSKO30246	30	24	6	27.00	22.50	1.50	0.75	A - B - C - D - E - F - G - H - I	0.44	A - B - C - D - E - F - G - H - I	45
CSKO36246	36	24	6	33.00	22.50	1.50	0.75	A - B - C - D - E - F - G - H - I	0.44	A - B - C - D - E - F - G - H - I	57
CSKO12128	12	12	8	9.00	11.00	1.50	0.50	C - D - E - F - G	0.28	C - D - E - F - G	12
CSKO16168	16	16	8	13.00	15.00	1.50	0.50	B - C - D - E - F - G - H	0.28	B - C - D - E - F - G - H	20
CSKO24248	24	24	8	21.00	22.50	1.50	0.75	A - B - C - D - E - F - G - H - I	0.44	A - B - C - D - E - F - G - H - I	44
CSKO202010	20	20	10	17.00	19.00	1.50	0.75	A - B - C - D - E - F - G - H - I	0.28	A - B - C - D - E - F - G - H - I	37
CSKO242410	24	24	10	21.00	22.50	1.50	0.50	A - B - C - D - E - F - G - H - I	0.44	A - B - C - D - E - F - G - H - I	52
CSKO302010	30	20	10	27.00	18.50	1.50	0.75	A - B - C - D - E - F - G - H - I	0.44	A - B - C - D - E - F - G - H - I	59
CSKO362410	36	24	10	33.00	22.50	1.50	0.75	A - B - C - D - E - F - G - H - I	0.44	A - B - C - D - E - F - G - H - I	75

Technical references and CAD downloads available at [www.hammondmfg.com](http://www.hammondmfg.com)

All dimensions in inches unless specified otherwise

**Quality Products. Service Excellence.**