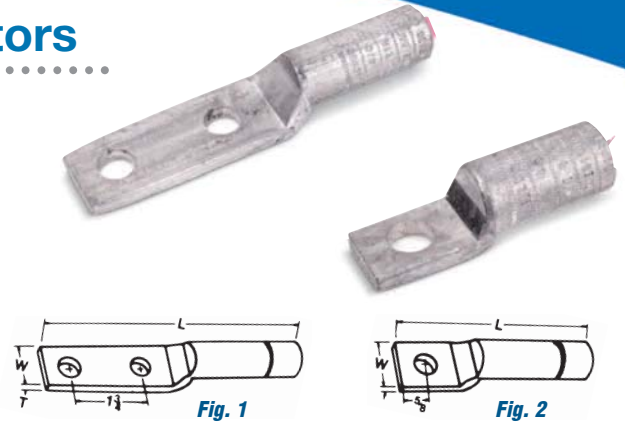


Distribution Compression Connectors

Type ALS — Aluminum Compression Terminal Lugs

- For aluminum and copper conductor
- NEMA standard mounting holes
- Prefilled with oxide inhibitor
- Complete die and crimp information clearly indented on each lug
- Install with standard tools and dies
- Use 1/2" mounting hardware for all sizes
- Available tin plated (add suffix P to catalogue number)



Cat. No.		Conductor Range					Installation Dies		Dimensions				
2 Hole (Fig. 1)	1 Hole (Fig. 2)	ACSR	AWG (Stranded)	Compact	Diameter (in.)		Mech. Tool	Hyd. Tool	W	L	T (Pad Thickness)		
					min.	max.							
	AL581	4	4	—	0.277	0.213	5/8 Peach BG WBG G TU	B58CS U-BG	2932		2-37/64	1/4	
AL582													4-37/64
	AL583	2	2	—	0.344	0.290							2-37/64
AL584													4-37/64
	AL585	1/0	1/0	2/0	0.422	0.381				2-37/64			
AL586										4-37/64			
	ALS1	4	4 2 Solid	4	0.258	0.232	840 K840 845 TX	840 B49EA EEI 11A K840 249 76 CSA24	2932	3-1/4			
ALS2										1-1/4	5-3/4		
	ALS3	2	1-2	1-2	0.332	0.316				2932	3-1/4		
ALS4										1-1/4	5-3/4		
	ALS5	1/0	1/0	2/0	0.398	0.368				2932	3-1/4		
ALS6										1-1/4	5-3/4		
	ALS7	2/0	2/0	3/0	0.447	0.414				2932	3-1/4		
ALS8										1-1/4	5-3/4		
	ALS9	3/0	3/0	4/0	0.502	0.464				2932	3-1/4		
ALS10										1-1/4	5-3/4		
	ALS11	4/0	4/0	—	0.563	0.522		2932	3-1/4				
ALS12								1-1/4	5-3/4				
	ALS13	3/0, 4/0	3/0, 4/0 250 kcmil	250 300 kcmil	0.575	0.464	—	B80EA EEI 13A 655 11/8 321 96H CSA 26		4-5/8	3/8		
ALS14										1-1/4		6	
	ALS15	266-267, 67, 18/1 kcmil	250-300	350	0.633	0.574						4-5/8	
ALS16												6	
	ALS17	266-267, 67, 18/1 336-18/1	300-350	350-400	0.684	0.609						4-5/8	
ALS18												6	
	ALS19	336-307, 267, 18/1 397-18/1	336-400	450-500	0.743	0.666			4-5/8				
ALS20									6				
	ALS23	397-307, 267, 18/1 477-18/1	450-500	550-600	0.814	0.743	—	B20AH EEI 14A 318 15/16 CSA 28 106H		5-9/16	9/16		
ALS24										1-3/8		6-7/8	
ALS28		477-307, 267, 247 556-18/1	550-556	650-700	0.883	0.846							
ALS32		556-267, 267 636-18/1	600-636	750	0.940	0.891	—	1-1/2 6024 125H CSA 30	1-5/8	7-1/4	5/8		
ALS44		636-267, 715-547 666-267, 547	750-800	900	1.031	0.990							
ALS60*		900-547 954-457	1000-1033	1033	1.172	1.151							

* For aluminum conductor only