

## Micro-Quick® Control Connectors

Whether you have a need for an industrial connector for sensitive signal applications, or for connecting to photo eyes or to 12 and 18 mm proximity switches, Hubbell's Micro-Quick connector line is the best choice available today. Micro-Quick control connectors are made with the same high quality materials as the Mini-Quick line, resulting in the same industrial strength in a smaller package to fit your size, signal and wire gauge requirements.

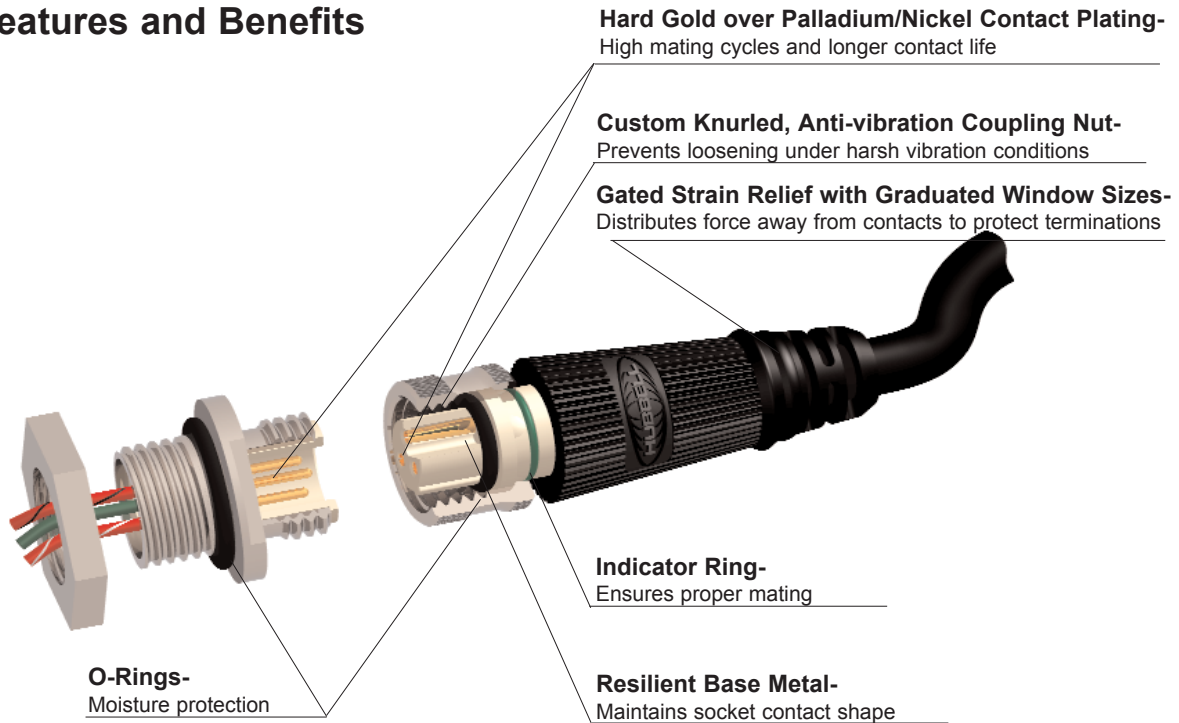
Hubbell's Micro-Quick line features:

- UL Listed connectors with UL Type 4, 4X, 12 and 13 environmental ratings.
- Beryllium copper socket contacts maintain continuity over time and reduce intermittencies.
- Gold over palladium nickel contact plating for superior conductivity and extended contact life.

As you would expect from Hubbell, Micro-Quick control connectors are the most durable and longest lasting micro connector available on the market today. Give us your harshest environment and we will give you a Micro-Quick connector that stands up to the job.

The Micro-Quick product offering is complete with straight and right angle molded on plugs and pre-wired receptacles available in 2 through 6 pole configurations with a variety of cable types and lengths. This line offers AC and DC key styles to prevent mismatching which can cause equipment damage. The **Hubbell Logic** chart helps you build the product you need quickly and easily.

# Micro-Quick® Control Connectors Features and Benefits



Features	Benefits
<ul style="list-style-type: none"> <li>Nickel plated brass coupling nuts and receptacle shells.</li> <li>Beryllium copper socket contacts.</li> <li>Standard #22 AWG cable 85% copper braid coverage.</li> <li>Black overmold and cable.</li> <li>Insulgrip connector body design.</li> </ul>	<ul style="list-style-type: none"> <li>Plating resists corrosion in high abuse environments.</li> <li>Strong, resilient base metal ensures contacts maintain their shape and continuity over time.</li> <li>Cable resists nicks and abrasions and provides shielding when braid is terminated.</li> <li>Cable assembly resists dirt and blends with environment giving a clean look to the installation.</li> <li>Ergonomic connector body has an industrial look.</li> </ul>

Material Specifications	
Insulator Materials	Nylon 6/6, White
Contact Materials	Pins - Brass Sockets - Beryllium copper
Contact Plating	Hard gold over palladium/nickel
Overmold Material	Glass filled polyurethane, Black
Coupling Nut, Metallic	Nickel plated brass
Coupling Nut, Nylon	Nylon 6/6, Black
Receptacle Shell	Nickel plated brass
Cable	#22 AWG - PVC jacket (black) PVC conductor insulation Copper braid - 85% coverage Stranding - 19/34
	#18 AWG - TPE jacket (black) PVC conductor insulation Stranding - 41/34
Strain Relief	#22 AWG - 20 pounds min per UL2238 #18 AWG - 30 pounds min per UL 2238

Electrical Specifications	
Voltage Rating	300VDC/300VAC
Amperage	#22 AWG - 2&3P=5A, 4&5P=4A, 6P=3A #18 AWG - 2&3P=8A, 4P=6A, 5P=5A
Contact Resistance	≤ 5 mΩ
Isolation Resistance	≥ 1000 MΩ

Environmental Specifications	
Moisture Protection	UL Type 4, 4X, 12 and 13
Ingress Protection	IP67 Suitability
Operating Temperature	#22 AWG PVC cable: -20°C to 105° C #18 AWG TPE cable: -40°C to 105° C
Corrosion Resistance	500 hours salt spray per MIL-STD-1344, Method 1001
Vibration Resistance	10 - 2,000 Hz @15g per MIL-STD-1344, Method 2005

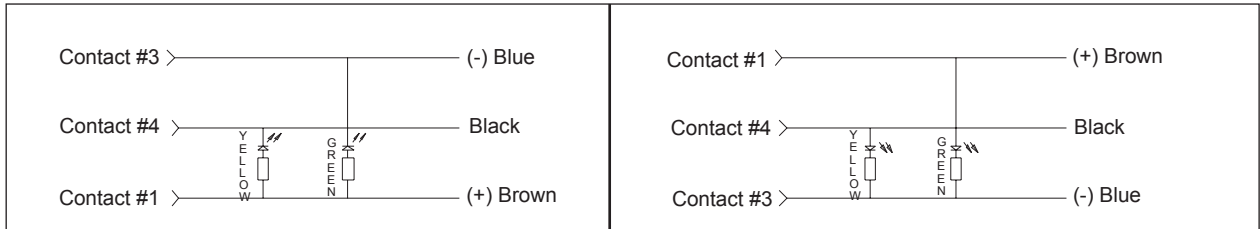
Certifications	
UL 2238 and UL50, File No. E192071	CSA Certified, C22.2 No. 182.3 and CSA C22.2 No. 94

# Micro-Quick® Control Connectors LED Cables

## LED Plugs

Micro-Quick plugs are available in NPN and PNP LED versions to aid in visibility of sensor functions in the manufacturing plant. These plugs are available in the 3 pole, single key, straight, and right angle configurations. The last digit of each catalog number gives the assembly length in meters, with 22 AWG cable as the standard.

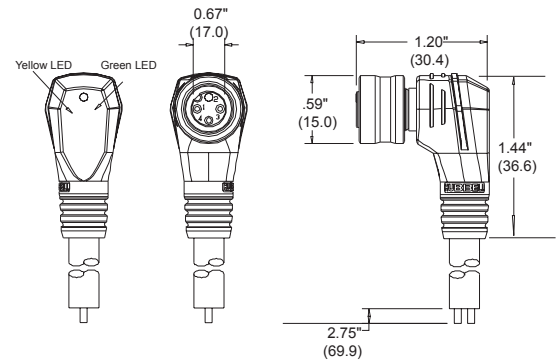
**Electrical Rating:** 5A/30V DC



## Micro-Quick Right Angle Female LED Plugs

PNP Version		
Description	Catalog Numbers	
	Metallic Coupling Nut	Nylon Coupling Nut
3 Pole, 2 Meter	<b>MCMP1312</b>	<b>MCNP1312</b>
3 Pole, 4 Meter	<b>MCMP1314</b>	<b>MCNP1314</b>
3 Pole, 5 Meter	<b>MCMP1315</b>	<b>MCNP1315</b>
3 Pole, * Meter	<b>MCMP131*</b>	<b>MCNP131*</b>
NPN Version		
Description	Catalog Numbers	
	Metallic Coupling Nut	Nylon Coupling Nut
3 Pole, 2 Meter	<b>MCMN1312</b>	<b>MCNN1312</b>
3 Pole, 4 Meter	<b>MCMN1314</b>	<b>MCNN1314</b>
3 Pole, 5 Meter	<b>MCMN1315</b>	<b>MCNN1315</b>
3 Pole, * Meter	<b>MCMN131*</b>	<b>MCNN131*</b>

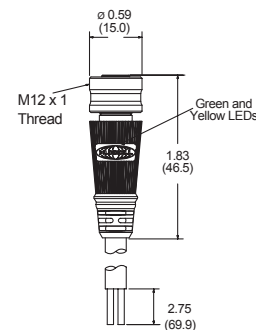
\* User specified cable length



## Micro-Quick Straight Female LED Plugs

PNP Version		
Description	Catalog Numbers	
	Metallic Coupling Nut	Nylon Coupling Nut
3 Pole, 5 Meter	<b>MCMP1315</b>	<b>MCNP1315</b>
3 Pole, * Meter	<b>MCMP131*</b>	<b>MCNP131*</b>
NPN Version		
Description	Catalog Numbers	
	Metallic Coupling Nut	Nylon Coupling Nut
3 Pole, 5 Meter	<b>MCMNS1315</b>	<b>MCNNS1315</b>
3 Pole, * Meter	<b>MCMNS131*</b>	<b>MCNNS131*</b>

\* User specified cable length



## Color Codes

Wire	Color
1	Brown
2	Not Used
3	Blue
4	Black