



Pin and Sleeve 20 and 30 Amps Low Profile

Features and Benefits

Brass Box Terminal
Permits high clamping pressure on conductors without damaging wire strands for best electrical conductivity

Nylon Construction
Both interior and exterior are made of tough, durable nylon

Split Sleeves
Split sleeves with self-adjusting stainless steel springs assure constant contact pressure (20A and 30A). On 60A devices, Beryllium Copper insert with multiple contact points assures easy insertion and a tight fit

Stainless Steel Terminal Screws
Resist rust and corrosion

Solid One-Piece Pins
Solid construction. Long life, reliable electrical contact and maximum conductivity

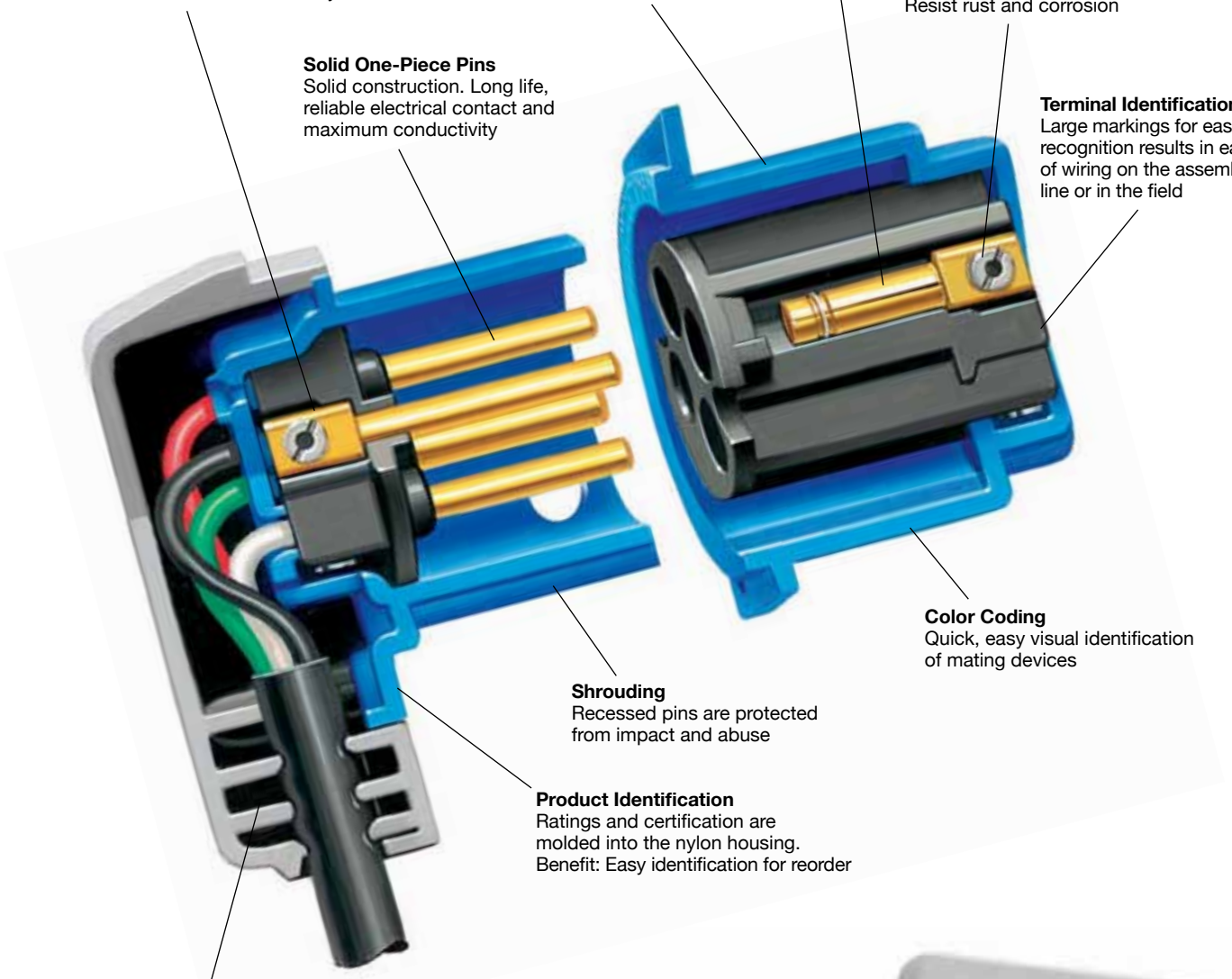
Terminal Identification
Large markings for easy recognition results in ease of wiring on the assembly line or in the field

Color Coding
Quick, easy visual identification of mating devices

Shrouding
Recessed pins are protected from impact and abuse

Product Identification
Ratings and certification are molded into the nylon housing. Benefit: Easy identification for reorder

Integrated Cord Grip
Limits strain on terminals, keeps cord connected



L420P9



L420R9



Pin and Sleeve

Low Profile Devices and Specifications

20, 30 and 60 Ampere - North American Ratings



Low Profile Devices

Amps	Poles and Wires	Configuration		AC Voltage	Plug	Receptacle	Cord Dia.	
		Recep./ Conn.	Plug/ Inlet				Min.	Max.
20	3P 4W			3Ø 250V	L420P9	L420R9	.350"	.710" (8.3-15.9)
30	3P 4W			125/250V	L430P12	L430R12	.390"	.775" (9.9-19.7)
30	3P 4W			3Ø 250V	L430P9	L430R9	.390"	.775" (9.9-19.7)

Amps	Poles and Wires	Configuration		AC Voltage	Plug	Receptacle	Cord Dia.	
		Recep./ Conn.	Plug/ Inlet				Min.	Max.
60	3P 4W			3Ø 250V	A460P9	A460R9	.75"	1.25" (19.1- 31.8)

Amps	Poles and Wires	Configuration		AC Voltage	Plug	Receptacle	Cord Dia.	
		Recep./ Conn.	Plug/ Inlet				Min.	Max.
60	4P 5W			3ØY 120/208V	A560P9	HBL560R9W	.89"	1.42" (22.6- 36.1)
100	4P 5W			3ØY 120/208V	A5100P9	HBL5100R9W	1.34"	1.50" (34.0- 38.1)

Specifications

Electrical

Dielectric Withstand Voltage	3000V AC.
Max. Working Voltage	250V RMS.
Current Interrupting	Certified for current interruption at full rated current.
Temperature Rise	Max. 30 C temperature rise at full rated current after 50 cycles of overload at 150% of rated current at a power factor of 75%.
Endurance	Up to 5,000 connect and disconnect cycles at full rated current and voltage.

Mechanical

Impact Resistance	Per CSA C22.2 No. 182.1 / UL1682.
Cord Grip Cable Retention	Per CSA C22.2 No. 182.1 / UL1682
Cord Accommodation	Round portable service cords of diameters commensurate with the device rating as defined in UL Standard 62, CSA C22.2 No. 49 and the <HAR> European Standards.
Terminal Identification	Terminals identified in accordance with North American convention.
Product Identification	Ratings are a permanent part of the device housing.

Environmental

Flammability	HB or better per UL 94 or CSA C22.2 No. 0.17.
Ingress Protection	IP22 Suitability
Operating Temperatures	Maximum Continuous 75° C; Minimum -40°C without impact.

Application Guide

Agriculture	Indoor location and maintenance.
Chemical Processing	Indoor location and maintenance.
Construction	Indoors for added safety and abuse resistance.
Entertainment	Indoor location and maintenance.
Food Service	Food service areas where aesthetics and space are concerns.
Light Manufacturing	Indoor locations and maintenance.
Manufacturing	Light assembly areas, stamping operations, and maintenance areas.
Military	Warehouse and maintenance areas.

Materials

Part	Material
Plug	
Case	Zytel® 101 Nylon
Shroud	Zytel® 101 Nylon
Pin Carrier 20 & 30A	Zytel® 101 Nylon
Pin and Carrier 60A	High-Impact Thermoset
Pins	Brass CDA#360
Assembly Screws	Stainless Steel (300 series)
Terminal Screws	Stainless Steel (300 series)
Receptacle	
Body	Zytel® 101 Nylon
Sleeve Carrier 20 & 30A	Zytel® 101 Nylon
Sleeve Carrier 60A	High-Impact Thermoset
Sleeves	Brass CDA #360
Assembly Screws	Stainless Steel (300 series)
Terminal Screws	Stainless Steel (300 series)
Adapter Plate 20 & 30A	Galvanized Steel
Adapter Plate 60A	Aluminum
Wall Trim Plate	Zytel® 101 Nylon
Panel Mount Trim Plate	Stainless Steel (300 series)

© Zytel and Rynite are registered trademarks of E.I. DuPont Corp.

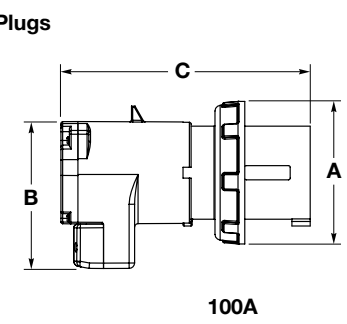
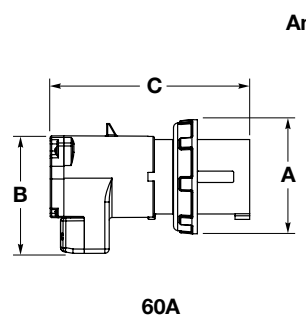
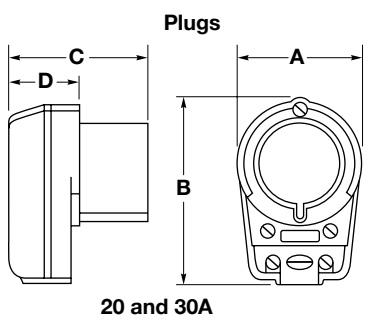
Note: See page E-17 for product dimensions.



Pin and Sleeve Low Profile Dimensions

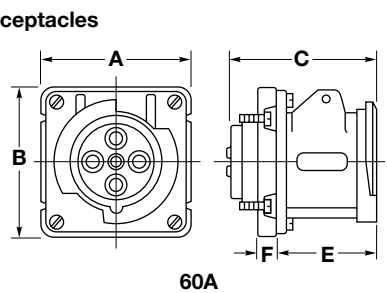
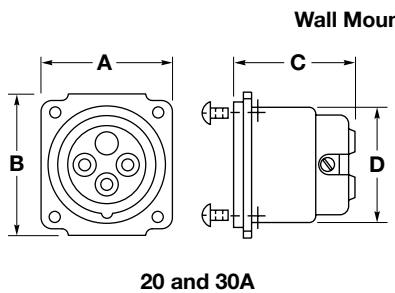
Plug Dimensions

Type	A	B	C	D	Cord Range Diameter
L420P9	2.47" (62.7)	3.78" (96.0)	2.93" (74.4)	1.49" (37.8)	.350"-.710" (8.9-18.0)
L430P12	2.97" (75.4)	4.18" (106.2)	3.50" (88.9)	1.71" (43.4)	.390"-.775" (9.9-19.7)
A460P9	3.38" (85.9)	4.25" (108.0)	7.00" (177.8)	-	.75"-1.25" (19.1- 31.8)
A5100P9	4.92" (125.00)	5.07" (128.81)	8.60" (218.35)	-	1.34"-1.50" (34.0- 38.1)

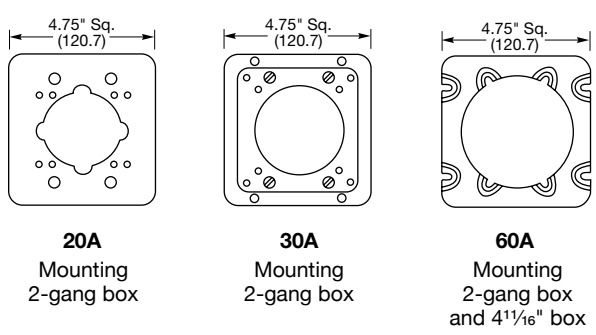


Wall Mount Receptacle Dimensions

Type	A	B	C	D	E	F
L420R9	2.60" (66.0)	2.81" (71.4)	2.28" (57.9)	2.38" (60.5)	-	-
L430R12	3.12" (79.2)	3.12" (79.2)	2.77" (70.4)	2.76" (70.1)	-	-
A460R9	4.50" (114.3)	4.50" (114.3)	4.48" (113.8)	-	3.62" (91.9)	.50" (12.7)



Adapter Plate (Included with "L" and "A" series receptacles)



Panel Cutout

