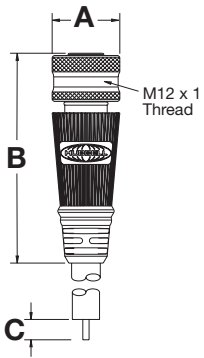


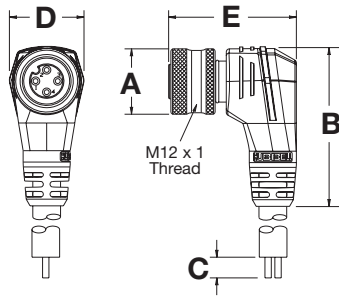


### Straight Female Plug



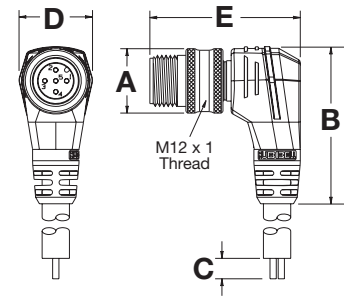
<b>A</b>	0.59" (15.0)
<b>B</b>	1.83" (46.5)
<b>C</b>	2.75" (69.9)

### Right Angle Female Plug



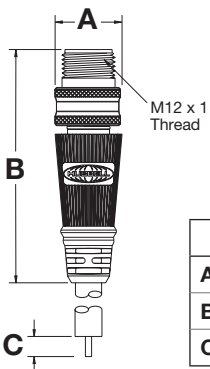
<b>A</b>	0.59" (15.0)
<b>B</b>	1.44" (36.6)
<b>C</b>	2.75" (69.9)
<b>D</b>	0.67" (17.0)
<b>E</b>	1.15" (29.2)

### Right Male In-Line Plug



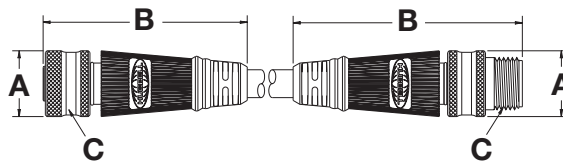
<b>A</b>	0.59" (15.0)
<b>B</b>	1.44" (36.6)
<b>C</b>	2.75" (69.9)
<b>D</b>	0.67" (17.0)
<b>E</b>	1.38" (35.1)

### Straight Male In-Line Plug



	MALE
<b>A</b>	0.59" (15.0)
<b>B</b>	2.06" (52.3)
<b>C</b>	2.75" (69.9)

### Extension Cable



	FEMALE	MALE
<b>A</b>	0.59" (15.0)	0.59" (15.0)
<b>B</b>	1.83" (46.5)	2.06" (52.3)
<b>C</b>	M12 x 1	

### Cable Diameters By Cable Type

Number of Conductors	#22 AWG PVC	#18 AWG TPE
3	0.21" (5.3)	0.24" (6.1)
4	0.22" (5.7)	0.26" (6.6)
5	0.26" (6.6)	0.28" (7.1)

### Conductor Color Code

Contact Number	3 Pole	4 Pole	5 Pole
1	Brown	Brown	Brown
2	Not Used	White	White
3	Blue	Blue	Blue
4	Black	Black	Black
5	Not Used	Not Used	Gray

### Accessories

#### Dust Caps

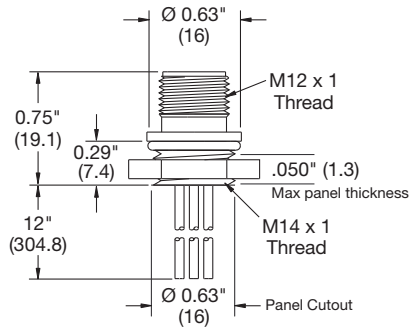
Closure caps protect plugs and receptacles when not in use. Thread is M12 x 1.

Catalog Number	
<b>MRCM1</b>	
<b>MPCM1</b>	

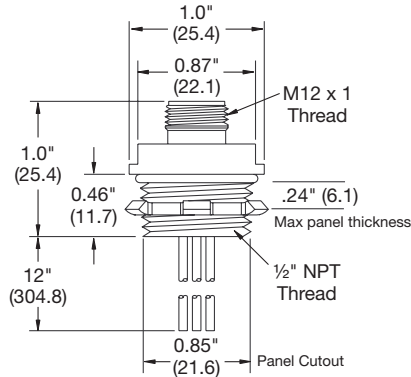
Dimensions in Inches (mm)



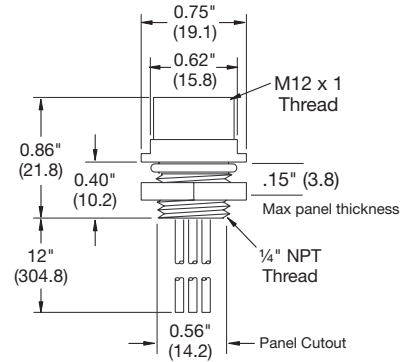
**Male Receptacle  
 Rear Thread - M14x1**



**Male Receptacle  
 Rear Thread - 1/2" NPT**



**Female Inverse Receptacle  
 Rear Thread - 1/4" NPT**



**Conductor Color Code - Single Key**

Contact Number	3 Pole	4 Pole	5 Pole
1	Brown	Brown	Brown
2	Not Used	White	White
3	Blue	Blue	Blue
4	Black	Black	Black
5	Not Used	Not Used	Gray

**Accessories**

**Dust Caps**

Closure caps protect plugs and receptacles when not in use. Thread is M12 x 1.

Catalog Number	
<b>MRCM1</b>	
<b>MPCM1</b>	