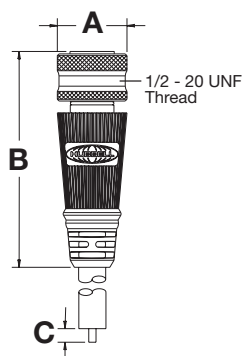


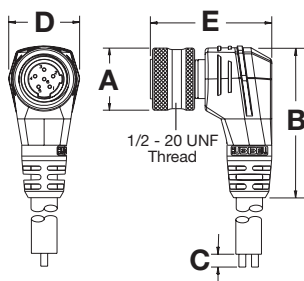


Straight Plug



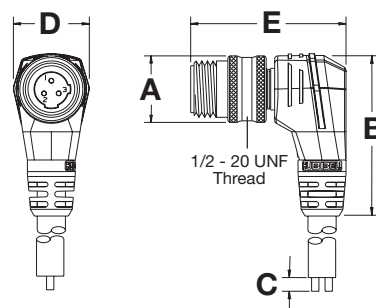
	MALE	FEMALE
A	0.59" (15.0)	0.59" (15.0)
B	1.83" (46.5)	1.83" (46.5)
C	2.75" (69.9)	2.75" (69.9)

Right Angle Plug



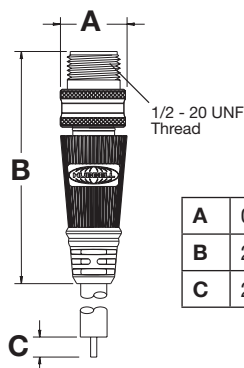
	MALE	FEMALE
A	0.59" (15.0)	0.59" (15.0)
B	1.44" (36.6)	1.44" (36.6)
C	2.75" (69.9)	2.75" (69.9)
D	0.67" (17.0)	0.67" (17.0)
E	1.15" (29.2)	1.15" (29.2)

Right Angle Male In-Line Plug



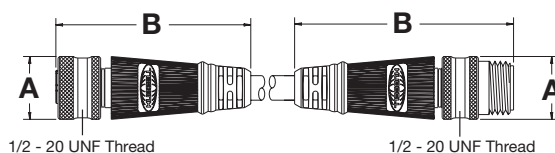
	MALE	FEMALE
A	0.59" (15.0)	0.59" (15.0)
B	1.44" (36.6)	1.44" (36.6)
C	2.75" (69.9)	2.75" (69.9)
D	0.67" (17.0)	0.67" (17.0)
E	1.38" (35.1)	1.38" (35.1)

Male In-Line Plug



A	0.59" (15.0)
B	2.06" (52.3)
C	2.75" (69.9)

Extension Cable



	MALE	FEMALE
A	0.59" (15.0)	0.59" (15.0)
B	2.06" (52.3)	1.83" (46.5)

Conductor Color Code - Dual Key

Contact Number	2 Pole	3 Pole	4 Pole	5 Pole	6 Pole
1	Brown	Green	Red/Black	Red/White	Red/White
2	Blue	Red/Black	Red/White	Red	Red
3		Red/White	Red	Green	Green
4			Green	Red/Yellow	Red/Yellow
5				Red/Black	Red/Black
6					Red/Blue

Cable Diameters By Cable Type

Number of Conductors	#22 AWG	
	PVC	TPE
2	0.20" (5.1)	0.23" (5.8)
3	0.21" (5.3)	0.24" (6.09)
4	0.22" (5.7)	0.26" (6.6)
5	0.26" (6.7)	0.28" (7.1)
6	0.26" (6.5)	-

Accessories

Dust Caps

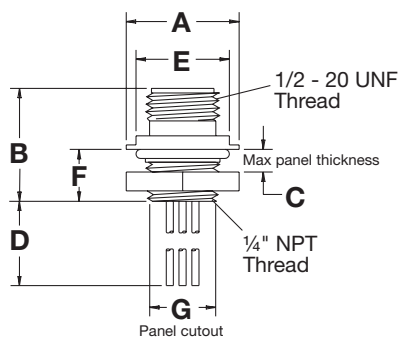
Closure caps protect plugs and receptacles when not in use. Key style is for dual with thread of 1/2"-20 UNF.

Catalog Number	
MRCM2	
MPCM2	

Dimensions in Inches (mm)

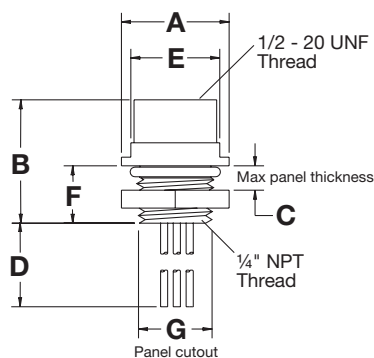


1/4" NPT Rear Thread Receptacle



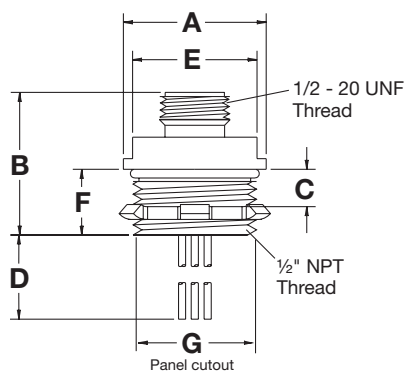
	MALE	FEMALE
A	0.75" (19.1)	0.75" (19.1)
B	0.75" (19.1)	0.86" (21.8)
C	0.10" (2.5)	0.10" (2.5)
D	12.0" (304.8)	12.0" (304.8)
E	0.62" (15.8)	0.62" (15.8)
F	0.35" (8.9)	0.38" (9.7)
G	0.56" (14.2)	0.56" (14.2)

Female Inverse Receptacle 1/4" NPT Rear Thread



A	0.75" (19.1)
B	0.86" (21.8)
C	0.15" (3.8)
D	12.0" (304.8)
E	0.62" (15.8)
F	0.40" (10.2)
G	0.56" (14.2)

1/2" NPT Rear Thread Receptacle



	MALE	FEMALE
A	1.00" (25.4)	1.00" (25.4)
B	1.00" (25.4)	1.00" (25.4)
C	0.24" (6.10)	0.24" (6.10)
D	12.0" (304.8)	12.0" (304.8)
E	0.87" (22.1)	0.87" (22.1)
F	0.46" (11.7)	0.46" (11.7)
G	0.85" (21.6)	0.85" (21.6)

Conductor Color Code - Dual Key

Contact Number	2 Pole	3 Pole	4 Pole	5 Pole	6 Pole
1	Brown	Green	Red/Black	Red/White	Red/White
2	Blue	Red/Black	Red/White	Red	Red
3		Red/White	Red	Green	Green
4			Green	Red/Yellow	Red/Yellow
5				Red/Black	Red/Black
6					Red/Blue

Accessories

Dust Caps

Closure caps protect plugs and receptacles when not in use. Key style is for dual with thread of 1/2"-20 UNF.

Catalog Number	
MRCM2	
MPCM2	

Dimensions in Inches (mm)