

TAPPING TEES CON'T

DAA High Pressure Tapping Tees - IPS

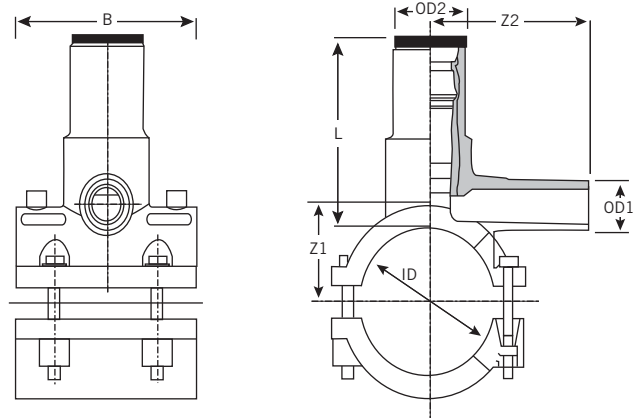
The industry-leading design of FRIALEN Tapping Tees makes for fast and safe installation of service and branch pipe.

Field of Application Installation of service and branch pipes to PE pipes 2406/2708 and 3408/4710

Range of Application Gas up to 125 psi and water up to 200 psi



- Hot tapping tee designed for leakproof installation under pressure up to 200 psi for water and 125 psi for gas
- Ease of assembly—no rounding clamps or special tools
- Cutter and sleeve made of brass
- Brass guide allows easy cutting of thick wall pipe
- Lower and upper “cutter stops” prevent overcutting as well as accidental removal of cutter
- Threaded plug with o-ring seal
- Corrosion-proof construction
- NSF-61



FRIATEC Safety Fittings can be fused to all PE pipes SDR Range 11 through 17.6. Allow electrofusion joints to cool prior to handling, pressurizing or tapping.



DAA High Pressure Tapping Tees - IPS

Nominal Pipe OD IPS	Nominal Outlet	Product Code	ID	OD 1	OD 2	Cutter	L	Z1	Z2	B
1-1/4"	1/2" CTS	228020	1.575	0.626	1.259	0.630	2.913	1.102	9.624	2.756
1-1/4"	3/4" IPS	228021	1.575	1.051	1.259	0.630	2.913	1.102	9.624	2.756
1-1/4"	1" CTS	228022	1.575	1.126	1.259	0.630	2.913	1.102	9.624	2.756
1-1/4"	1" IPS	228023	1.575	1.315	1.259	0.630	2.913	1.102	9.624	2.756
2"	1/2" CTS	228042	2.378	0.626	1.575	0.846	3.878	1.780	3.937	4.094
2"	3/4" IPS	228029	2.378	1.051	1.575	0.846	3.878	1.780	3.701	4.094
2"	1" CTS	228033	2.378	1.126	1.575	0.846	3.860	1.780	3.701	4.094
2"	1" IPS	228032	2.378	1.315	1.575	0.846	3.860	1.780	3.701	4.094
2"	2" IPS	228274	2.378	2.378	1.575	1.180	5.000	2.170	5.952	6.060
3"	1/2" CTS	228043	3.504	0.626	1.969	1.180	4.764	2.343	4.410	4.803
3"	3/4" IPS	228030	3.504	1.051	1.969	1.180	4.764	2.343	3.937	4.803
3"	1" CTS	228031	3.504	1.126	1.969	1.180	4.764	2.343	4.255	4.803
3"	1" IPS	228044	3.504	1.315	1.969	1.180	4.764	2.343	4.255	4.803
3"	2" IPS	228028	3.504	2.378	1.969	1.180	4.780	2.350	6.890	5.905
4"	1/2" CTS	228045	4.512	0.626	1.969	1.180	4.764	2.905	4.016	4.785
4"	3/4" IPS	228034	4.512	1.051	1.969	1.180	4.764	2.846	4.409	4.764
4"	1" CTS	228035	4.512	1.126	1.969	1.180	4.764	2.846	4.527	4.785
4"	1" IPS	228046	4.512	1.315	1.969	1.180	4.764	2.913	4.527	4.785
4"	2" IPS	228025	4.512	2.378	1.969	1.180	4.780	2.913	7.086	4.905
6"	1/2" CTS	228047	6.638	0.626	1.969	1.180	6.575	4.500	4.586	7.677
6"	3/4" IPS	228036	6.638	1.051	1.969	1.180	6.575	4.528	4.331	7.677
6"	1" CTS	228038	6.638	1.126	1.969	1.180	6.575	4.528	4.331	7.677
6"	1" IPS	228049	6.638	1.315	1.969	1.180	6.575	4.528	4.331	7.677
6"	2" IPS	228027	6.638	2.378	1.969	1.180	6.575	4.803	6.811	7.677
8"	1/2" CTS	228048	8.605	0.626	1.969	1.180	6.575	5.483	4.586	7.677
8"	3/4" IPS	228037	8.605	1.051	1.969	1.180	6.575	5.315	4.331	7.677
8"	1" CTS	228041	8.605	1.126	1.969	1.180	6.575	5.315	4.331	7.677
8"	1" IPS	228040	8.605	1.315	1.969	1.180	6.575	5.315	4.331	7.677
8"	2" IPS	228039	8.605	2.378	1.969	1.180	6.575	5.827	6.811	7.677
10" - 16" *	2" IPS	228056	10.75 - 16.00	--	1.969	1.180	6.575	--	7.087	7.677

* Friatop pneumatic top-loading tool required

FRIATEC Safety Fittings can be fused to all PE pipes SDR Range 11 through 17.6.

Allow electrofusion joints to cool prior to handling, pressurizing or tapping.

For 12" and 14" IPS applications, maximum SDR for full coupon cut is SDR 11.

For 16" IPS applications, maximum SDR for full coupon cut is SDR 13.5.

For 12" DIP applications, maximum SDR for full coupon cut is SDR 11.

For 14" and 16" DIP applications, maximum SDR for full coupon cut is SDR 17.