
Medium Bi-Pin Lampholders for T-8 Lamps with G13 Base



New Selection Offers Total Design Flexibility

- Tall, Medium and Short Profile
- Bottom Wiring
- Slide-On or Snap-In Mounting

Applications:

- Ceiling lighting in a wide range of commercial environments including offices, schools, hotels and libraries
- Troffers and shop fixtures

Features and Benefits:

- Available in tall profile (30mm lamp center), medium profile (23mm lamp center) and new short profile (16mm lamp center)
- Bottom-load wiring
- Four-position, positive-stop lamp-lock socket for easy relamping in service
- Available with internal shunt connection for instant start ballasts or non-shunted versions
- Chemical-resistant white thermoplastic body
- Slide-On models fit thin 22 gauge panels for streamlined fixture designs
- Knife-edge contacts on Tall and Medium Slide-On models
- Snap-In models available with optional locator pin for added stability



Tall Snap-In 13660-SWP

Medium Snap-In 13661-SWP

Short Snap-In 13662-SWP

Rating:

660W-600V

Agency Standards:

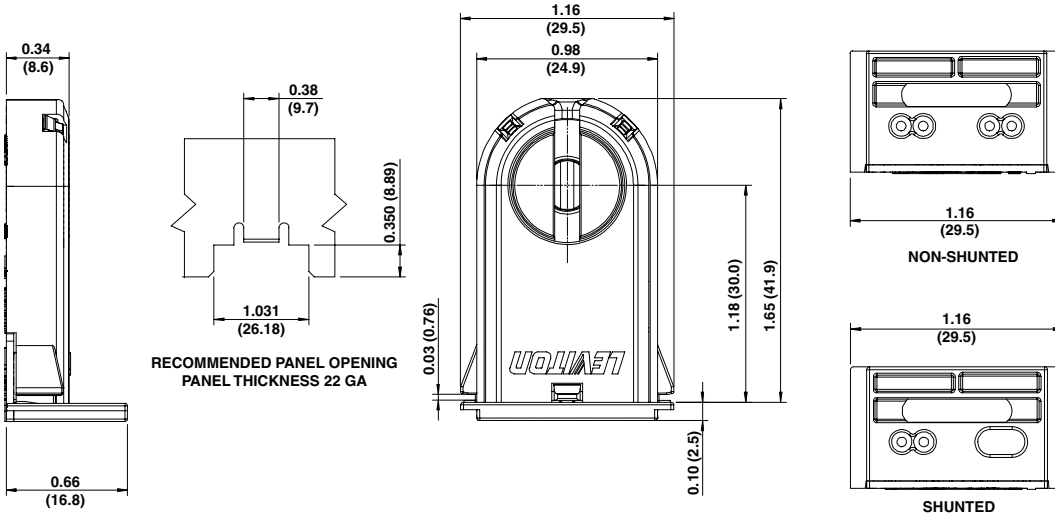
UL Listed  us (File #E-5833)
 NOM Certified (File #057)
 VDE Certified to IEC

ORDERING INFORMATION:

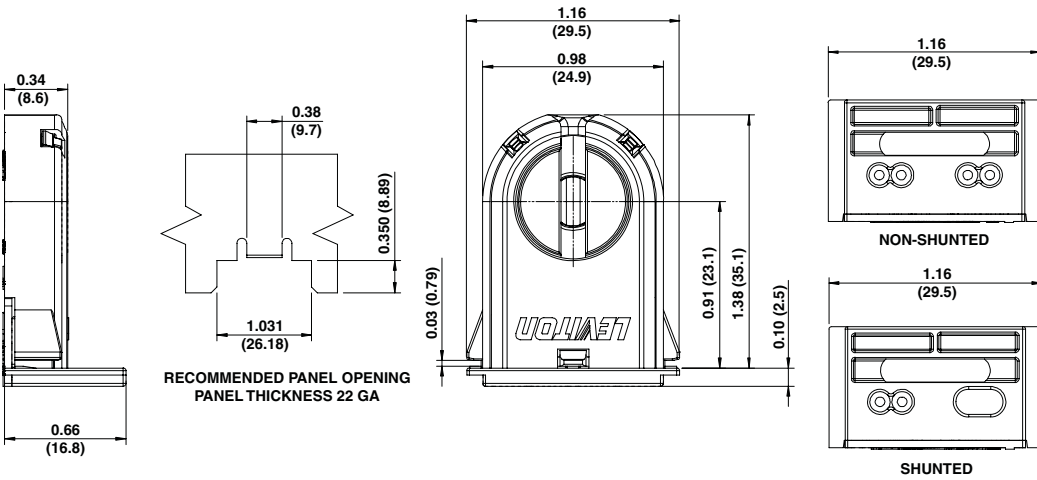
Cat. No.	Description
13660-SL	Tall Profile Slide-On, 30mm lamp center height
23660-SL	Same as above, except with internal shunt connection
13661-SL	Medium Profile Slide-On, 23mm lamp center height
23661-SL	Same as above, except with internal shunt connection
13662-SL	Short Profile Slide-On, 16mm lamp center height
23662-SL	Same as above, except with internal shunt connection
13660-SWP	Tall Profile Snap-In with locator pin, 30mm lamp center height
13660-SNP	Same as above, except without locator pin
23660-SWP	Tall Profile Snap-In with locator pin and internal shunt connection, 30mm lamp center height
23660-SNP	Same as above, except without locator pin
13661-SWP	Medium Profile Snap-In with locator pin, 23mm lamp center height
13661-SNP	Same as above, except without locator pin
23661-SWP	Medium Profile Snap-In with locator pin and internal shunt connection, 23mm lamp center height
23661-SNP	Same as above, except without locator pin
13662-SWP	Short Profile Snap-In with locator pin, 16mm lamp center height
13662-SNP	Same as above, except without locator pin
23662-SWP	Short Profile Snap-In with locator pin and internal shunt connection, 16mm lamp center height
23662-SNP	Same as above, except without locator pin

Slide-On Medium Bi-Pin Lampholders for T-8 Lamps with G13 Base

Cat. No. 13660-SL/23660-SL



Cat. No. 13661-SL/23661-SL



Cat. No. 13662-SL/23662-SL

