

# MULTI-BASE MINIATURE BI-PIN QUARTZ

Single-Ended

G4/G6.35/GY6.35/GX5.3 (MR16)/GZ4 (MR11) Base



LAMP HOLDERS



80054-500



80054

## Miniature Bi-Pin Quartz Lampholders

Single-Ended • Multi-Base

Multi-base miniature bi-pin quartz lampholder accepts all popular single-ended miniature quartz lamps, including G4, G6.35, GY6.35, GX5.3 (MR16) and GZ4 (MR11). It simplifies inventory by eliminating the need to stock a separate lampholder for every type of lamp base. Available with wire leads.

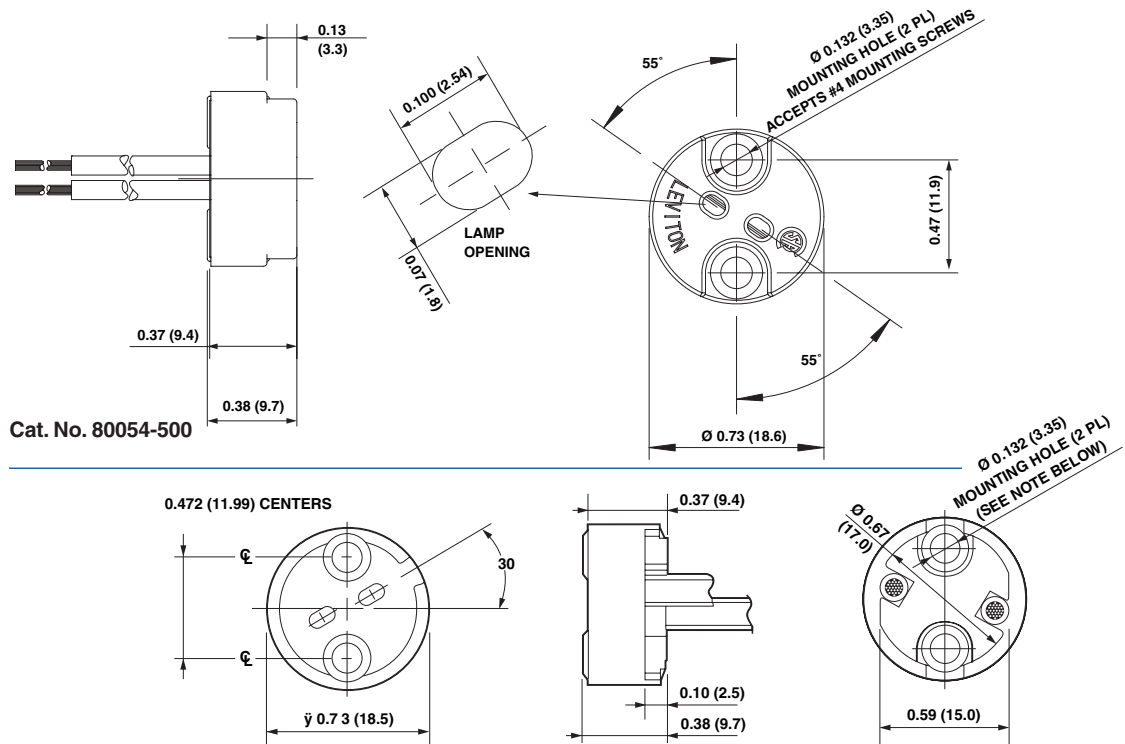
Note: Leads rated 250°C are available upon request. Leads can be terminated with .110, .187 or .250 inch quick-connect terminals upon request.

**Cat. No. 80054-500** Multi-base miniature bi-pin quartz lampholder with solid nickel double-wipe contacts accepts all popular single-ended miniature quartz lamps including G4, G6.35, GY6.35 (MR-16) and GZ4 (MR11). Enhanced design has ceramic surface where lamp mates with socket for better heat resistance, and recessed mounting holes that allow screw heads to sit flush with surface and also allow rear bracket mounting. Two No.18 AWG Teflon® 250°C leads, 12" long, stripped 1/2".

**Cat. No. 80054** Multi-base miniature bi-pin quartz lampholder. Accepts types G4, G6.35, GY6.35 (MR-16) and GZ4 (MR11) single-ended miniature quartz lamps. Ceramic body with mica cover. Two No. 18 AWG-SEW-1 200° leads, 12" long, stripped 1/2".

**Rating:** 250V maximum voltage  
12A maximum amperage  
750W maximum wattage

- UL Recognized Component E-13405
- CSA Certified LR-1863



Cat. No. 80054

NOTE: #2 FLAT COUNTERSUNK HEAD MOUNTING SCREW RECOMMENDED  
MOUNTING HOLES ACCEPT UP TO #4 SCREW

