

## 5 KV Pulse Rated

Porcelain body gray glazed with ceramic arc shield. Copper alloy nickel-plated screw shell with lamp grips. Copper alloy nickel-plated center contact. Lugged leads are No. 14 AWG 200°C 600V glass braid SEW-2, 16" long, stripped 1/2". Choice of bushing or screw mounting.

**Standard pack:** bulk

**Cat. No. 8746 Series**

- 1500W-600V • 5 KV Pulse Rated • UL Listed E-13402 • CSA Certified LR-1863
- NOM Certified 057

Cat. No.	Description
8746-000*	Mogul lampholder less wireways. (2) #8-32 screws.
8746-001	Mogul lampholder less wireways. (2) #8-32 bushings.
8746-002*	Mogul lampholder with wireways. (2) #8-32 screws.
8746-003	Mogul lampholder with wireways. (2) #8-32 bushings.

\*Die-cast caps and insulators available unassembled only. See page D13.



## 4 KV Pulse Rated

Porcelain body white glazed. Copper alloy nickel-plated screw shell with lamp grips. Copper alloy nickel-plated center contact. Lugged leads are No. 14 AWG 200°C 600V glass braid SEW-2, 12" long, stripped 1/2". Choice of lock nut or screw mounting.

**Standard pack:** bulk

**Cat. No. 8756 Series**

- 1500W-600V • 4 KV Pulse Rated • UL Listed E-13402 • CSA Certified LR-1863
- NOM Certified 057

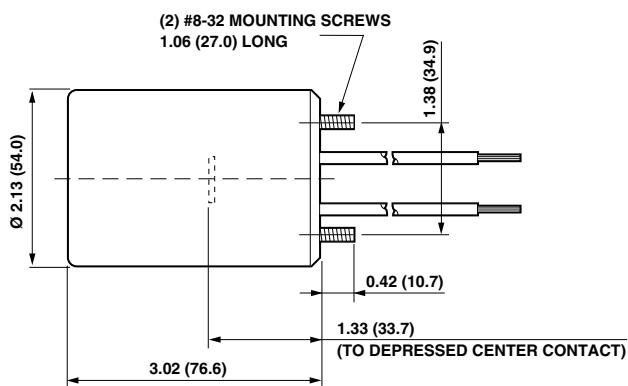
Cat. No.	Description
8756-000	Mogul lampholder. (2) #8-32 lock nuts.
8756-002*	Mogul lampholder. (2) #8-32 screws.

\*Die-cast caps and insulators available unassembled only. See page D13.

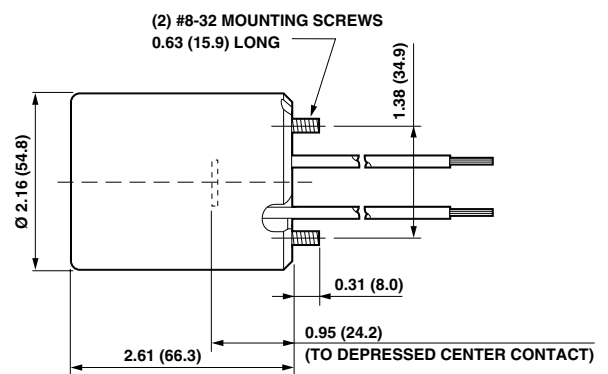
NOTE: Variations available on request. Contact your Leviton OEM Representative for information.



SECTION D



Cat. No. 8746



Cat. No. 8756