

PULL CHAIN SWITCHES Heavy Duty

With Recessed Quickwire™ Push-in Terminals



2-Circuit 3-Position

Sequence of operation OFF/L-1/L-2
(1-2 connected internally in OFF position)

Phenolic body, polycarbonate cover with bushing, Quickwire push-in terminals, will accept #18 AWG solid, twisted-and-tinned or overtinned conductors. Steel chain, brass finish 3 3/4" long. Also available with nickel finish. 3 ft. cord with plastic connector and end bell. Aluminum knurl nut, brass finish. Available with nickel finish. Also available with leads assembled upon request.

Standard pack: bulk

Cat. Nos. 1690 & 1690-100 (with neutral splice box)

- 3A-250V AC / 6A-125V AC / 1/4 HP-125/250V AC • CSA Certified LR-3413
- NOM Certified 057

- 4A-250V AC / 8A-125V AC / 1/3 HP-125/250V AC
- UL Recognized Component LR-7458 • NOM Certified 057



2-Circuit 4-Position

Sequence of operation

| 2-CIRCUIT | SPST** |
|-----------|--------|
| OFF* | OFF |
| L-1 | L-1 |
| L-2 | OFF |
| L-1-2 | L-1 |

*1-2 connected internally in OFF position
**omit wire to #2 terminal

Phenolic body, polycarbonate cover with bushing, Quickwire push-in terminals, will accept #18 AWG solid, twisted-and-tinned or overtinned conductors. Steel chain, brass finish 3 3/4" long. Also available with nickel finish. 3 ft. cord with plastic connector and end bell. Aluminum knurl nut, brass finish. Available with nickel finish. Also available with leads assembled upon request.

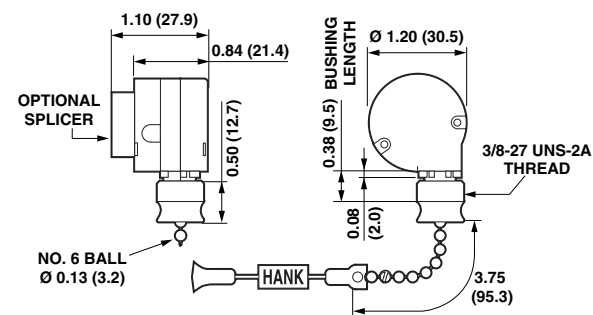
Standard pack: bulk

Cat. Nos. 1689 & 1689-100 (with neutral splice box)

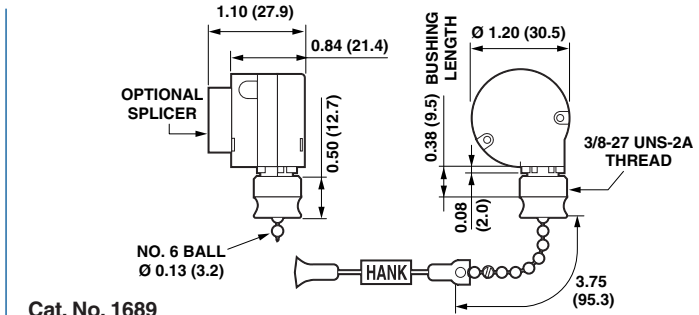
- 3A-250V AC / 6A-125V AC / 3A-125V AC-L / 1/4 HP-125/250V AC
- UL Recognized Component LR-7458 • CSA Certified LR-3413 • NOM Certified 057

Cat. No. 1684

- 4A-250V AC / 8A-125V AC / 1/3 HP-125/250V AC
- UL Recognized Component LR-7458 • NOM Certified 057



Cat. No. 1690



Cat. No. 1689
Cat. No. 1684