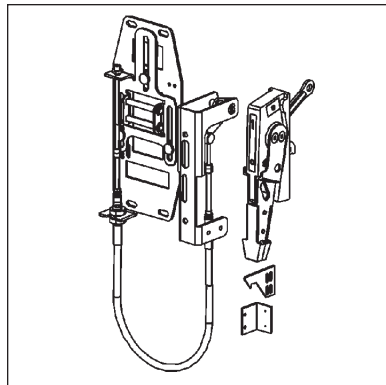
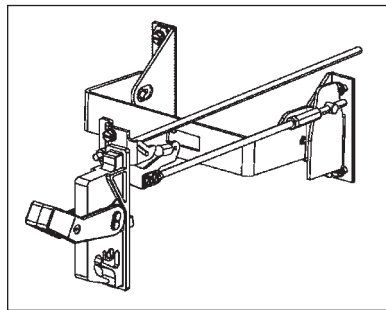


External Accessories

Operating Mechanisms



Description	For DG and FG Frame 150 to 250 A		For JG and LG Frame 400 to 600 A	
	Catalog Number	List Price \$	Catalog Number	List Price \$
Variable Depth Flange Mounted Operator Kit^A Adjustable from 8" to 16" Complete kit, includes handle and fixed depth operator. NEMA 1, 3R, 12 NEMA 4X IEC Black Handle NEMA 1, 3R, 12	FHVF3R FHVF4X FHVF3RB		FHVL3R FHVL4X FHVL3RB	
Max-Flex™, Variable Depth Flange Mounted Operator Kit^A Complete kit, includes handle, breaker operator, and cable. NEMA 1, 3R, 12 For DG and FG operators, the cable is 36", all others are 48"	MFKF3R		MFKL3R	
Handle Only, for Max-Flex™ Variable Depth^A NEMA 1, 3R, 12 Plastic NEMA 1, 3R, 12 Steel - epoxy coated NEMA 4, 4X Steel - chrome plated Solid color (all gray) Plastic ^① NEMA 1, 3R, 12 Solid color (black handle) Steel epoxy coated ^① NEMA 1, 3R, 12	MFHM3R MFHM3RS MFHM4X MFHM3RB MFHM3RSB		MFHM3R MFHM3RS MFHM4X MFHM3RB MFHM3RSB	
Breaker Operator Mechanism Only, for Max-Flex™^A	MFMF		MFML	
Cable Only, for Max-Flex™ Variable Depth^A 36" 48" 60" 72" 84" 96" 120" 144"	MFCFC036 MFCFC048 MFCFC060 MFCFC072 MFCFC084 MFCFC096 MFCFC120 MFCFC144		MFCM036 MFCM048 MFCM060 MFCM072 MFCM084 MFCM096 MFCM120 MFCM144	
Handle Auxiliary Switch^A Form C (1NO - 1NC), early break ^② 1 Aux. switch 2 Aux. switch	MFSFA1 MFSFA2		MFSLA1 MFSLA2	

① Max-Flex™ handles are available with solid gray or black handles instead of the customary "Red on On" flange handle. The black handle is preferred for IEC markets, where red handles have a specific meaning.

② During manual operation, Early Break aux. contacts open before the breaker opens.

A - Consult with Siemens for availability.

Description	For MG Frame 800 A		For NG Frame 1200 A		For PG Frame 1600 A	
	Catalog Number	List Price \$	Catalog Number	List Price \$	Catalog Number	List Price \$
Variable Depth Flange Mounted Operator Kit^A Adjustable from 8" to 16" Complete kit, includes handle and fixed depth operator. NEMA 1, 3R, 12 NEMA 4X IEC Black Handle NEMA 1, 3R, 12	—	—	—	—	—	—
Max-Flex™, Variable Depth Flange Mounted Operator Kit^A Complete kit, includes handle, breaker operator, and cable. NEMA 1, 3R, 12 For DG and FG operators, the cable is 36", all others are 48"	MFKM3R		MFKP3RS		MFKP3RS	
Handle Only, for Max-Flex™ Variable Depth^A NEMA 1, 3R, 12 Plastic NEMA 1, 3R, 12 Steel - epoxy coated NEMA 4, 4X Steel - chrome plated Solid color (all gray) Plastic ^① NEMA 1, 3R, 12 Solid color (black handle) Steel epoxy coated ^① NEMA 1, 3R, 12	MFHM3R MFHP3RS MFHM4X MFHM3RB MFHM3RSB		— MFHP3RS MFHP4X — MFHP3RSB	— — —	— MFHP3RS MFHP4X — MFHP3RSB	— — —
Breaker Operator Mechanism Only, for Max-Flex™^A	MFMM		MFMP		MFMP	
Cable Only, for Max-Flex™ Variable Depth^A 36" 48" 60" 72" 84" 96" 120" 144"	— MFCM048 MFCM060 MFCM072 MFCM084 MFCM096 MFCM120 MFCM144	—	MFCP036 MFCP048 MFCP060 MFCP072 MFCP084 MFCP096 MFCP120 MFCP144		— MFCP048 MFCP060 MFCP072 MFCP084 MFCP096 MFCP120 MFCP144	—
Handle Auxiliary Switch^A Form C (1NO - 1NC), early break ^② 1 Aux. switch 2 Aux. switch	MFSPAS1 MFSPAS2		MFSPAS1 MFSPAS2		MFSPAS1 MFSPAS2	

A - Consult with Siemens for availability.