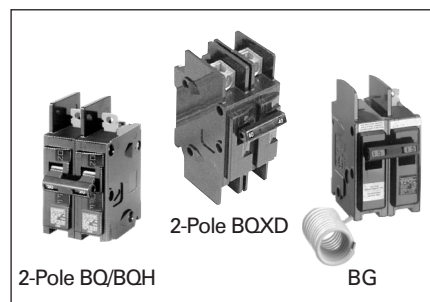


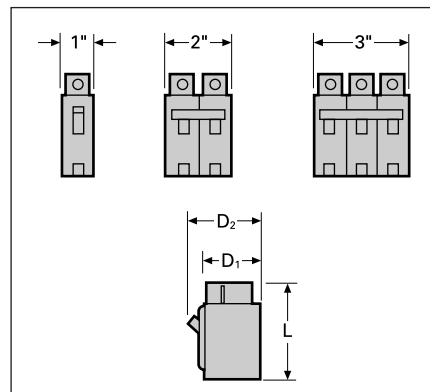
Special Applications Breakers — Switching Neutrals

Breaker Type	Ampere Rating	Complete Breaker UL Unenclosed		Interrupting Ratings (KA) (RMS Symmetrical Amperes)		
		Catalog Number	List Price \$	Volts AC		
				120	120/240	240
2 Wire Common Trip Bolt-on BG 120V AC	15	BG2B015		10		
	20	BG2B020		10		
	30	BG2B030		10		
SHIPPING: 3 per carton, 36 per master carton (Wt. 24 lbs.)						
3 Wire Common Trip Bolt-on BG 120/240V AC	15	BG3B015			10	
	20	BG3B020			10	
	30	BG3B030			10	
SHIPPING: 2 per carton, 24 per master carton (Wt. 24 lbs.)						



Type BQXD — BQ Breaker with DIN Rail Mounting

Continuous Current Rating	1-Pole 120V AC		2-Pole 120/240V AC		Interrupting Ratings (KA) (RMS Symmetrical Amperes)	
	Catalog Number	List Price \$	Catalog Number	List Price \$	Volts AC	
					120/240	
15	BQ1B015QLD		BQ2B015QLD		10	
20	BQ1B020QLD		BQ2B020QLD			
25	BQ1B025QLD		BQ2B025QLD			
30	BQ1B030QLD		BQ2B030QLD			
35	BQ1B035QLD		BQ2B035QLD			
40	BQ1B040QLD		BQ2B040QLD			
45	BQ1B045QLD		BQ2B045QLD			
50	BQ1B050QLD		BQ2B050QLD			
60	BQ1B060QLD		BQ2B060QLD			



Breaker Type	Amperes	Dimensions (inches)		
		L	D1	D2
BQ, BQH	15-50	3 3/4	2 3/8	3
BQ, BQH	55-125	4	2 3/8	3
HBQ	15-125	4	2 3/8	3
BQXD	15-60	4 1/2	2 3/8	3

Finger Safe Terminal Shield

Protects against accidental contact with lugs—1 per lug. Fits line and load end.

Catalog Number	Qty	List Price \$
BQFS2	2	
BQFS1K	1000	

Shipping Weights

Number of Poles	Number Per Carton / Master	Shipping Weight (lbs.) Master
BQ		
1 (15-50A)	6/72	23
1 (55-70A)	6/66	23
1 (15-70A, 22 and 65K A IR)	6/66	23
2 (15-50A)	3/36	24
2 (60-125A)	3/33	23
2 (15-100A, 22 and 65K A IR)	3/33	24
2 (15-100A, 240V)	3/33	23
3 (15-100A)	2/22	23
BQH and HBQ		
1	6/66	23
2	3/33	24
3	2/22	24

Enclosures		
Type	Catalog Number®	List Price \$
1	EB3100S®	
3R	WB3100	

Lugs-For Use with BQ, BQH, HBQ®

Circuit Breaker Amp. Rtg.	Cab. Per Lug	Lug Wire Range AWG	Catalog Number	List Price \$ (Qty. 6)
Line Side				
15-40	1	#14-#6 Cu #12-#6 Al	TC1Q1®	
50-100	1	#8-#1 Cu #6-#1/0 Al	TA1Q1®	
Load Side				
15-20	1	#14-#10 Cu #14-#10 Al	Connectors are supplied with Circuit Breaker	
25-35	1	#14-#6 Cu #14-#6 Al		
40-50	1	#8-#6 Cu #8-#4 Al		
55-70	1	#8-#4 Cu #8-#2 Al		
80-100	1	#4-#1/0 Cu #2-#1/0 Al		
110-125	1	#2-#1/0 Cu #1/0-#2/0 Cu		

For inches / millimeters conversion, see Application Data section.

■ Built to order. Allow 2-3 weeks for delivery.

① Terminals are UL Listed for 60°/75°C conductors.

Also CSA Listed.

② Connector has steel construction.

③ Surface mounted indoor. If flush mounting is required, replace suffix "S" in catalog number with suffix "F".

④ Neutral included in enclosure.

⑤ Enclosure will not accept circuit breakers with shunt trips or auxiliary switches installed.

® Package of 6 connectors.

® BQXD uses TA1Q1 or TC1Q1 lugs on both line and load ends.

Accessories pages 11/67 to 11/72