



# RFID systems for the HF frequency range

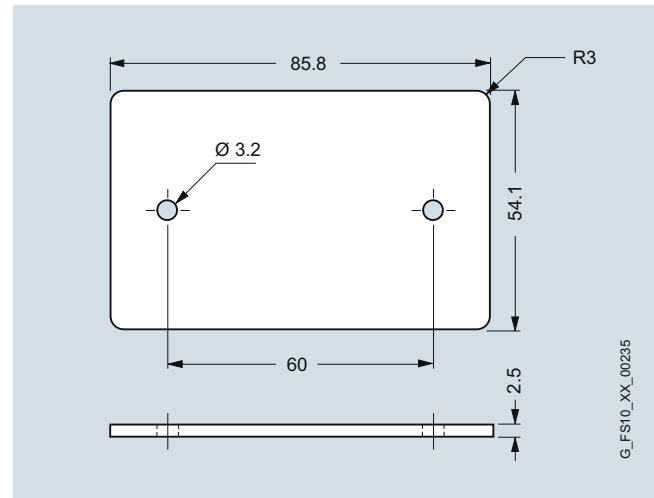
## SIMATIC RF300 transponders (RF300 mode)

### SIMATIC RF360T

#### Selection and ordering data

	Order No.
<b>Transponder SIMATIC RF360T</b> 8 KB FRAM Ordering quantity 10 units or a multiple thereof.	<b>6GT2800-4AC00</b>
<b>Accessories</b>	
<b>Fixing pocket</b> For SIMATIC RF360T, only usable together with spacer 6GT2190-0AA00. Ordering quantity 50 units or a multiple thereof.	<b>6GT2190-0AB00</b>
	
<b>Spacer</b> For 6GT2190-0AB00 fixing pocket, thickness 20 mm The purpose of the spacer is to maintain the recommended distance to the metal when installing the transponder. Ordering quantity 50 units or a multiple thereof.	<b>6GT2190-0AA00</b>
	

#### Dimensional drawings



SIMATIC RF360T transponder

G\_FS10\_XX\_00235