

RFID systems for the HF frequency range

Transponders (ISO mode)

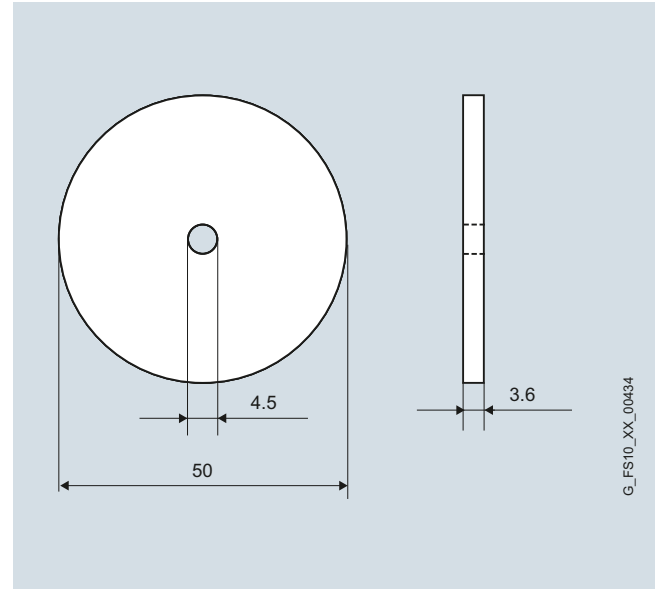
MDS D126

Selection and ordering data

	Order No.
Transponder MDS D126 112 bytes EEPROM Ordering quantity 250 units or a multiple thereof.	6GT2600-0AE00
Accessories	
Spacer For MDS D126, necessary for mounting onto metal surfaces. Diameter = 60 mm, height = 30 mm. Ordering quantity 50 units or a multiple thereof.	6GT2690-0AL00



Dimensional drawings



MDS D126 transponder

RFID systems for the HF frequency range

Transponders (ISO mode)

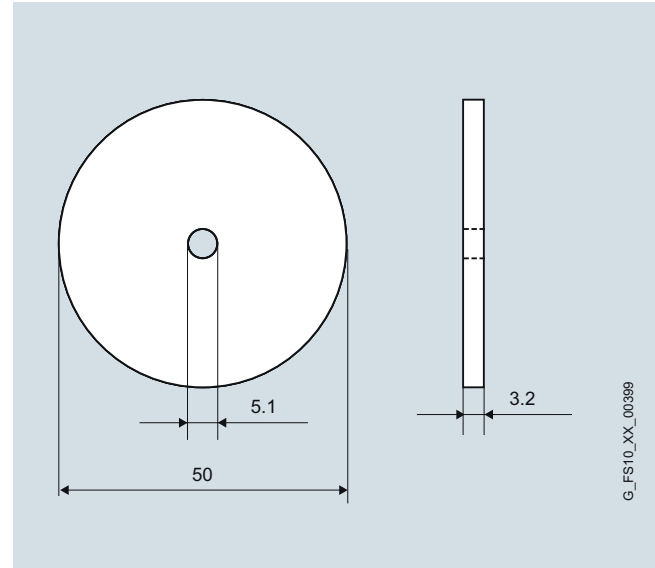
MDS D426

Selection and ordering data

	Order No.
Transponder MDS D426 2000 bytes FRAM Ordering quantity 50 units or a multiple thereof.	6GT2600-4AH00
Accessories Spacer For MDS D426, necessary for mounting onto metal surfaces. Diameter = 60 mm, height = 30 mm Ordering quantity 50 units or a multiple thereof.	6GT2690-0AL00



Dimensional drawings



MDS D426 transponder